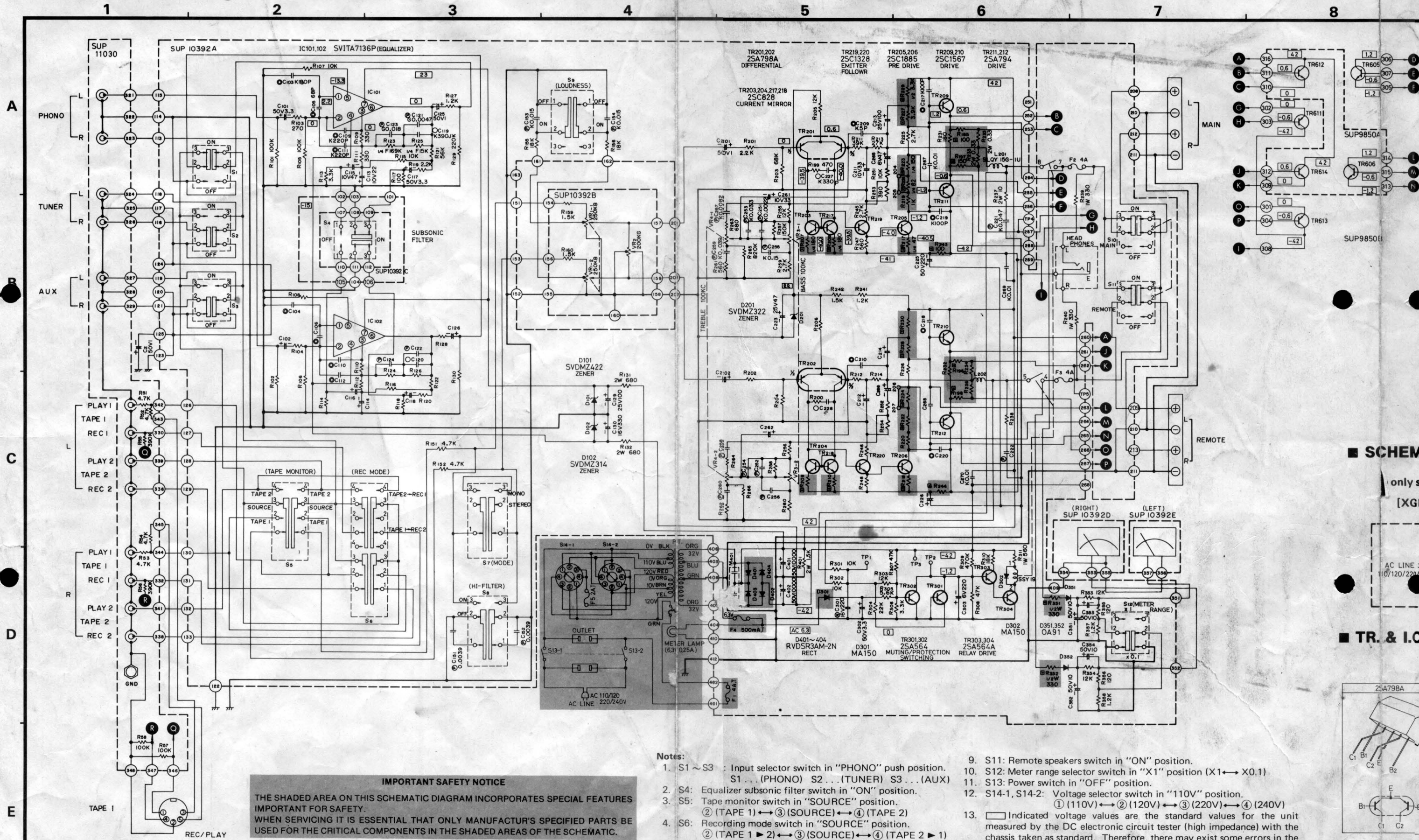


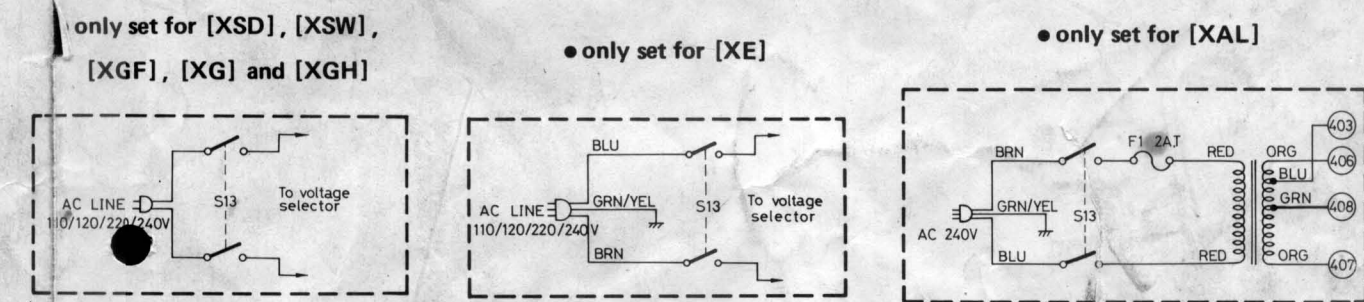
Schematic Diagram..... Model SU-7700/SU-7700K



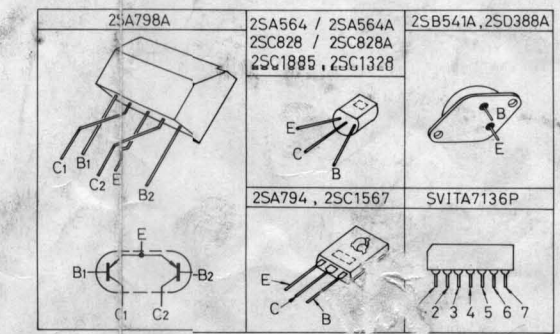
IMPORTANT SAFETY NOTICE
 THE SHADED AREA ON THIS SCHEMATIC DIAGRAM INCORPORATES SPECIAL FEATURES IMPORTANT FOR SAFETY. WHEN SERVICING IT IS ESSENTIAL THAT ONLY MANUFACTURER'S SPECIFIED PARTS BE USED FOR THE CRITICAL COMPONENTS IN THE SHADED AREAS OF THE SCHEMATIC.

- Notes:**
- S1 ~ S3 : Input selector switch in "PHONO" push position. S1... (PHONO) S2... (TUNER) S3... (AUX)
 - S4: Equalizer subsonic filter switch in "ON" position.
 - S5: Tape monitor switch in "SOURCE" position.
 ② (TAPE 1) ↔ ③ (SOURCE) ↔ ④ (TAPE 2)
 - S6: Recording mode switch in "SOURCE" position.
 ② (TAPE 1 ▶ 2) ↔ ③ (SOURCE) ↔ ④ (TAPE 2 ▶ 1)
 - S7: Mode switch in "STEREO" position.
 - S8: High filter switch in "OFF" position.
 - S9: Loudness switch in "OFF" position.
 - S10: Main speakers switch in "ON" position.
 - S11: Remote speakers switch in "ON" position.
 - S12: Meter range selector switch in "X1" position (X1 ↔ X0.1)
 - S13: Power switch in "OFF" position.
 - S14-1, S14-2: Voltage selector switch in "110V" position.
 ① (110V) ↔ ② (120V) ↔ ③ (220V) ↔ ④ (240V)
 - Indicated voltage values are the standard values for the unit measured by the DC electronic circuit tester (high impedance) with the chassis taken as standard. Therefore, there may exist some errors in the voltage values, depending on the internal impedance of the DC circuit tester.
 - This schematic diagram may be modified at any time with the development of new technology.

SCHEMATIC DIAGRAMS OF POWER SOURCE



TR. & I.C. TERMINAL GUIDE



BLOCK DIAGRAM OF INTEGRATED CIRCUIT

