

An Audio Amplifier Power Supply Design

National Semiconductor
Application Note 1849
Troy Huebner/John DeCelles
March 15, 2010



Introduction

This application note provides design information for a power supply for use with National Semiconductor's newest offering of high-performance, ultra high-fidelity audio amplifier input stage ICs.

Analog audio circuit power supplies can have an audible effect in listening test and quantifiable effect in bench measurement results. Power supply designs that operate from the power mains are of three common types: Switch mode (SMPS), regulated, and unregulated power supplies.

Switch mode power supplies have become very popular, common, inexpensive, and readily available. SMPS are used extensively in computer hardware. They are well suited for such use providing good regulation with high efficiency in a small physical size. A drawback to SMPS is the switching nature of the design which creates EMI and RFI plus electrical noise on the supply rails. Small signal analog circuits are more susceptible to noise in the form of EMI or electrical noise on the supply lines. Certain classes of amplifiers, namely Class G and Class H, may be more easily realized with SMPS that are fast responding for full audio bandwidth signals. Using SMPS for audio circuits presents additional design challenges than when using a SMPS for non-audio circuits.

A regulated supply can be a simple linear regulator IC with the rectified voltage from the transformer as input and a handful of external components or any number of more complicated and often higher performance designs. There are the tradeoffs of complexity, cost, space, thermal design, reliability and protection with any regulated design. It is common for regulated supplies to be used for the analog small signal portions and other sensitive circuits for best performance. For an audio power amplifier, regulated supplies will need high bandwidth for good audio performance. The complexity and cost for such a power supply design may not be acceptable. Most linear regulator ICs do not have high bandwidth and are slow compared to audio signals which can result in reduced audio performance.

For simplicity, good performance, and reasonable cost, an unregulated supply is the most common for an audio power amplifier. An unregulated supply uses a transformer, a bridge rectifier, and various rail capacitors. A drawback to the unregulated supply is the voltage fluctuations with load and power mains fluctuations. A design should allow for a minimum 10% high line condition on the power mains. Unregulated supplies may have only a fuse in the power mains input to protect against excessive current unlike more sophisticated regulated designs. Additionally, the power supply voltage rails may have inline fuses to add some additional protection.

The circuit and solution presented in this application note has not been tested to any industry standards. It is the responsibility of the reader to perform standard industry testing to assure safety when using the solution in part or in whole in any form. National Semiconductor does not provide any guarantees, written or implied, about the safety of the solution.

Overview

This application note will cover the design of a $\pm 72V$ unregulated power supply designed specifically for the LME49810, LME49811 and LME49830 high-fidelity audio amplifier modules. The output power of the modules are approximately 220W to 250W into 8Ω and 350W to 400W into 4Ω . Complete documentation for the amplifier modules can be found in the documents listed below.

AN-1850 LME49830TB Ultra-High Fidelity, High-Power Amplifier Reference Design

Although the power supply design is specific to the amplifier modules the concepts and circuit design may be used for any power supply purpose.

The power supply is an unregulated design with an option to allow connection to either 120V or 240V mains. The design uses toroidal transformers, a fully integrated bridge, and various rail capacitors for ripple voltage reduction, noise suppression, and to act as high current reservoirs. Additional circuitry to control inrush current on power up and power up/down Mute control are also included. A complete schematic, PCB views, and Bill of Materials are provided for the power supply design.

Schematic and Design

POWER SUPPLY

Figure 1 shows the complete schematic of the power supply design. The heart of the design is the basic power supply consisting of the transformers, the bridge, and various capacitors. Many of the capacitors used may not be commercially necessary or may have a minimal effect on performance. Because the design is not a commercial design where tight cost constraints must be taken into account, additional capacitors are freely used. For a commercial design, bench and listening test or some other test criteria is recommended to determine the exact number, size, and type of external components required. A short explanation of the purpose of each capacitor at the primary side of the transformers, around the bridge and on the supply rails follows. Some capacitors are doubled up on the PCB for flexibility or to achieve the desired total capacitance.

- C_1, C_2, C_4 are to protect against turn on/off spikes caused when the power switch changes positions. C_3 is not used and is redundant.
- C_{S1}, C_{S2} are low value, ceramic capacitors to filter higher frequency noise right at the DC output of the diode bridge.
- C_{S3}, C_{S4} are the large reservoir capacitors to supply large current demands and stabilize the supply rails to minimize low frequency fluctuations. These are very large value electrolytic capacitors. Two capacitors are used to achieve the desired $40,000\mu F$ capacitance per rail.
- C_{S5}, C_{S6} are high quality film capacitors to filter higher frequency noise. Two footprints are used on the PCB for flexibility.
- C_{S7}, C_{S8} act in conjunction with R_{S1} and R_{S2} to decouple the large electrolytic capacitors and reduce impedance.

- C_{S9} , C_{S10} are low value, ceramic capacitors to filter higher frequency noise from the transformer secondary AC lines at the diode bridge.
- C_{S11} - C_{S14} are in parallel with the bridge diodes to reduce high frequency noise and ringing of the diode. An additional RC snubber in parallel with each diode of the rectifier will further reduce noise and ringing.

The values for the different capacitors were not chosen based on extensive bench work or research. The values were chosen based on general guidelines and commonly used values. Additional performance may be obtained through refinement of the capacitor values. The equations and methods to deter-

mine optimal values are beyond the scope of this application note.

Additionally, the supply rails have bleeder resistors, R_{BL1} , R_{BL2} , to drain the large reservoir capacitors (C_{S3} , C_{S4}). Two footprints per rail were placed on the PCB to allow for lower power resistors to be used and a wide range of bleeder current. More sophistication can be added by including an additional DPDT relay and controls to only connect the bleeder resistors below a set voltage and remain unconnected during normal operation.

The fully integrated bridge has a peel & stick heat sink attached. (See Table 1) for robustness in use and higher ambient temperature conditions.

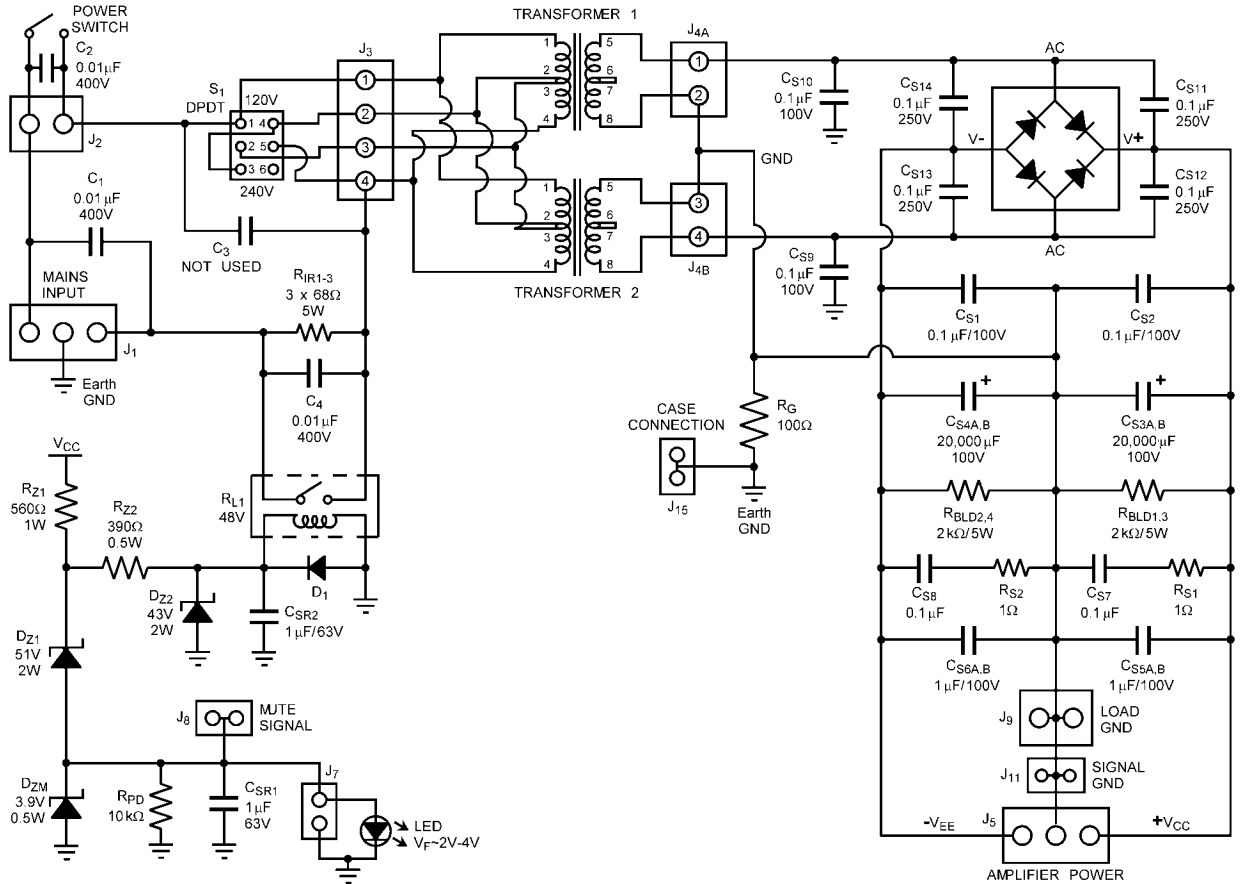


FIGURE 1. Complete Power Supply Circuit

30063118

Additional Circuit

120V/240V SELECTION OPTION

For multi-country operation a switch is included to select between 120V or 240V input at the primary side of the transformers. The transformers are dual primary with the switch

allowing the option to put the primaries into series or parallel. The primary side of each transformer is connected in parallel for 120V operation with series connection used for 240V operation. The schematics below, Figures 2 and 3, show the different connections with the switch set for either 120V or 240V input from the power lines.

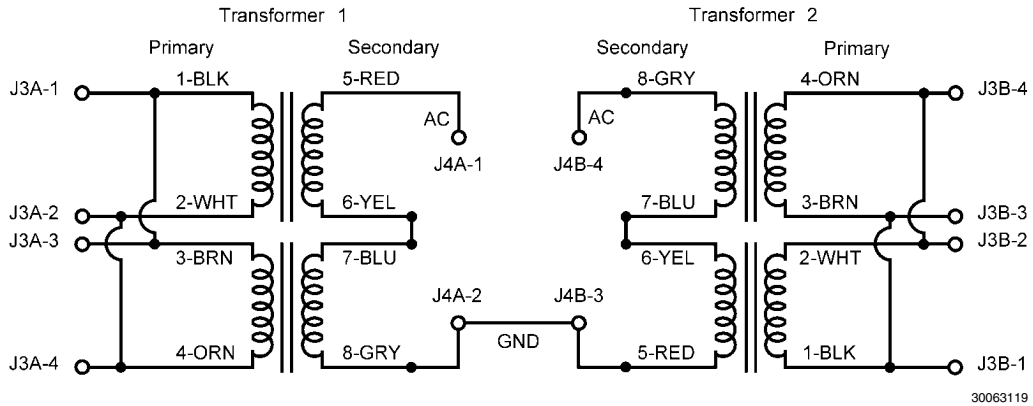


FIGURE 2. 120V Transformer Connections, Primaries in Parallel

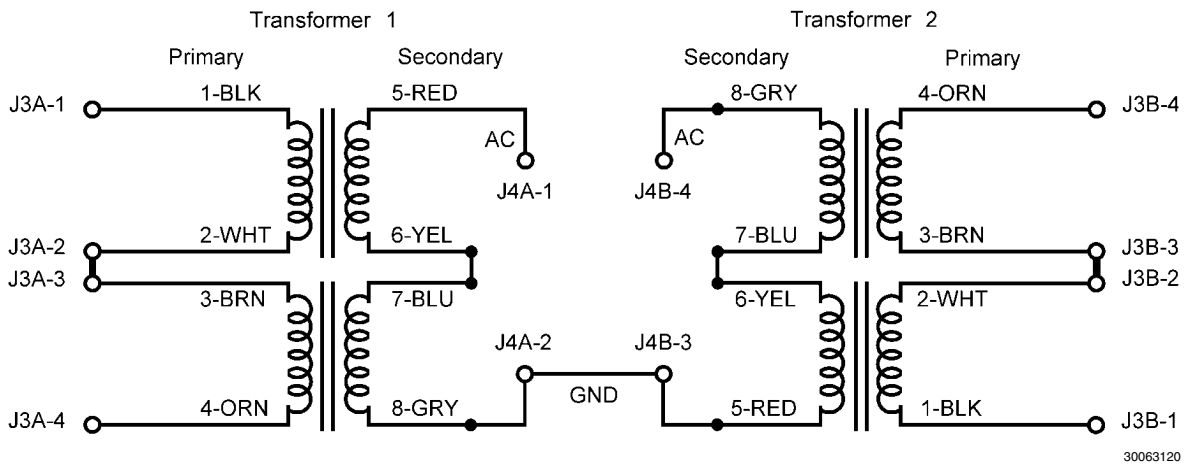
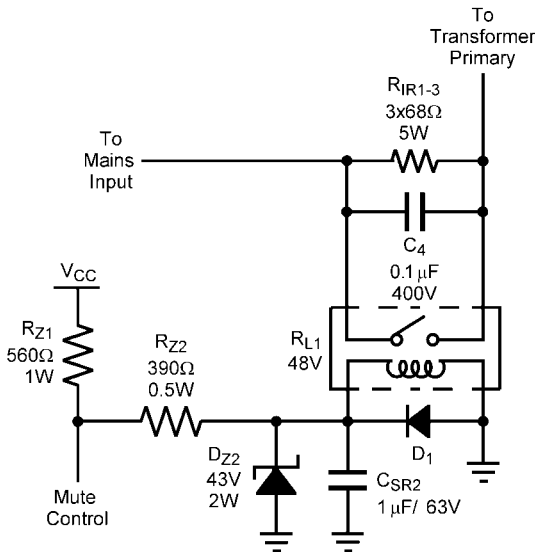


FIGURE 3. 120V Transformer Connections, Primaries in Series

INRUSH CURRENT CONTROL

A simple inrush circuit is used to limit the high current that occurs at power up. The portion of the schematic that controls inrush current is shown in Figure 4.



30063106

FIGURE 4. Inrush Current Control

The inrush circuit consist of three 68Ω/5W resistors ($R_{IR1} - R_{IR3}$, labeled just R_{IR} in Figures 1 and 4) in parallel, a relay and the relay controls. The R_{IR} resistors limit transformer primary current flow and the resulting secondary current flow when the transformer is powered for a softer turn on. Once the V_{CC} rail voltage exceeds 33V the relay is activated shorting out the resistors. The relay is deactivated when the V_{CC} voltage falls below 10V resetting the circuit. The circuit is very simple and does not limit inrush current if the mains power is switched on before the V_{CC} rail drops below 10V. The relay control consists of the R_{Z1} and R_{Z2} resistors to limit current through the voltage clamping D_{Z2} Zener diode. D_{Z2} limits the relay voltage below the maximum 48V rating. The D_1 diode is for the relay coil EMF and C_{SR2} is to remove ripple and stabilize the relay voltage. The oscilloscope photo in Figure 5 shows how the positive rail charges up with the increase in charge rate once the relay is closed shorting out the inrush current limiting resistors. The R_{IR} resistors will get warm but they are only conducting for 500ms each time the amplifier is powered on keeping the power dissipation well within the 5W rating.

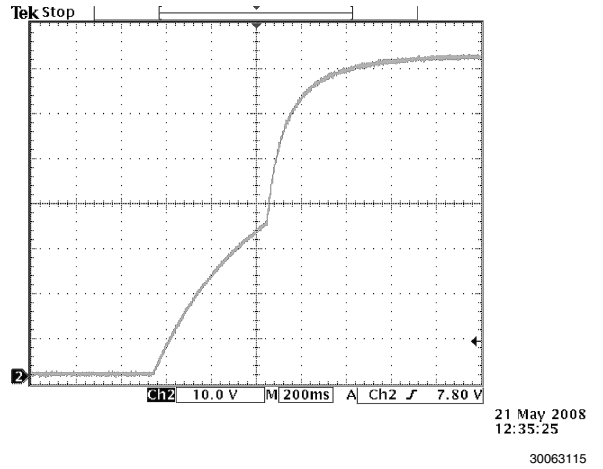
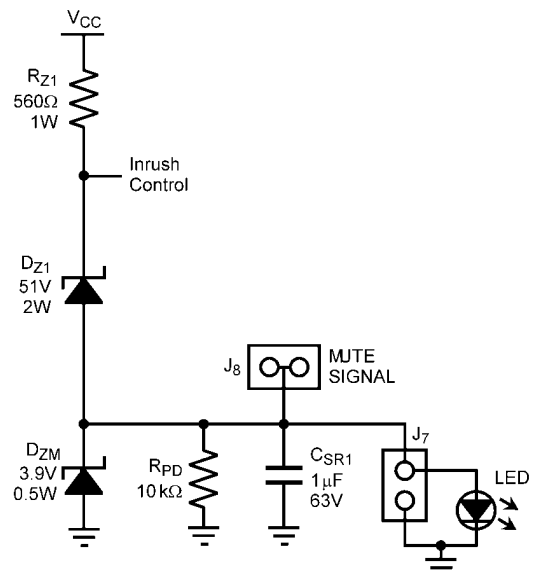


FIGURE 5. Supply Ramp at Power On

POWER UP/DOWN MUTE CONTROL

The Mute function of the audio amplifier input stage IC is used for a completely quiet turn on and turn off. The amplifier is held in Mute mode until the voltage supplies are nearly stable and also goes into Mute mode once the supplies have collapsed below a determined voltage. With 40,000μF of supply reservoir capacitance per rail the amplifier can continue operation for some time after the mains power has been removed. The mute control circuit removes the drive signal for a quicker turn off well before the supplies have collapsed down below the minimal operating voltages. The amplifier will turn off quietly and smoothly without any undesired noise. The Mute control circuit portion is shown in Figure 6.



30063107

FIGURE 6. Mute Control

The voltage threshold is set by the value of the D_{Z1} Zener diode, the current limiting R_{Z1} resistor and the forward voltage on the LED. The circuit works by simply requiring a certain positive supply rail voltage before the LED turns on and the amplifier switches out of Mute mode. The D_{Z1} Zener diode will begin to conduct once the positive supply rail exceeds its rated voltage. At this point the LED will begin to develop voltage across it. The LED's forward voltage (typically 2V ~ 4V) is used as the amplifier's Mute voltage. Setting the Mute resistor on the amplifier PCB module correctly allows the amplifier to go out of Mute mode once the LED's forward voltage is high enough to supply the needed Mute current. The LED is also used as an indicator, lighting when the amplifier is in Play mode. The values shown set the Mute voltage threshold to 57V on power up and 58V on power down. Because of component tolerances the threshold voltages will vary. At power down, the forward voltage of the LED will collapse quickly putting the amplifier into Mute mode well before the supplies are discharged for a quiet and relatively quick power off. Figures 7 and 8 show the Mute signal with supply voltage at power on and power off. There is additional delay from when the Mute signal reaches the Mute threshold (~1.80V for the amplifier PCB) and when the amplifier enters PLAY mode as a result of the mute delay capacitor on the amplifier PCB.

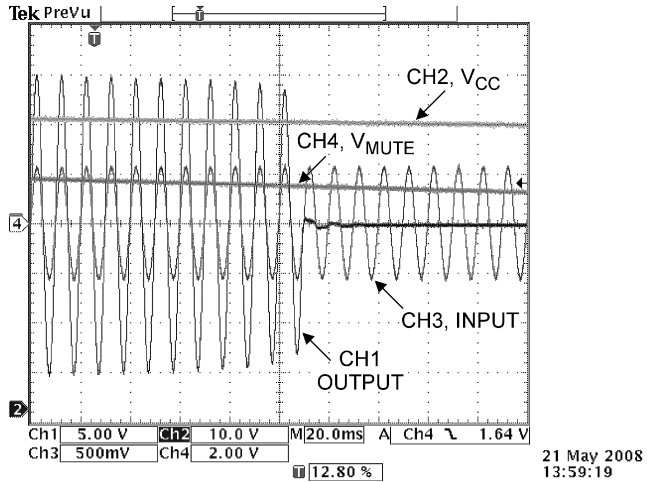


FIGURE 8. Mute at Power Off

The R_{ZM} Zener diode is for protection in the event of LED failure locking the Mute voltage so it will not exceed 4V. The amplifier PCB module's Mute resistor is sized for a maximum of 4V safely limiting Mute current. R_{PD} is needed so D_{Z1} will conduct and C_{SR1} is for a steady LED/Mute voltage.

A short coming of the simple Mute control circuit is the LED's brightness will vary under heavy amplifier load with the circuit values shows in Figure 6. Either the threshold of the Mute circuit can be lowered by changing the value of D_{Z1} for more consistent brightness in operation or a constant current circuit may be used. Figure 9 shows a basic constant current (LED brightness) circuit with similar threshold voltages as the Mute control circuit.

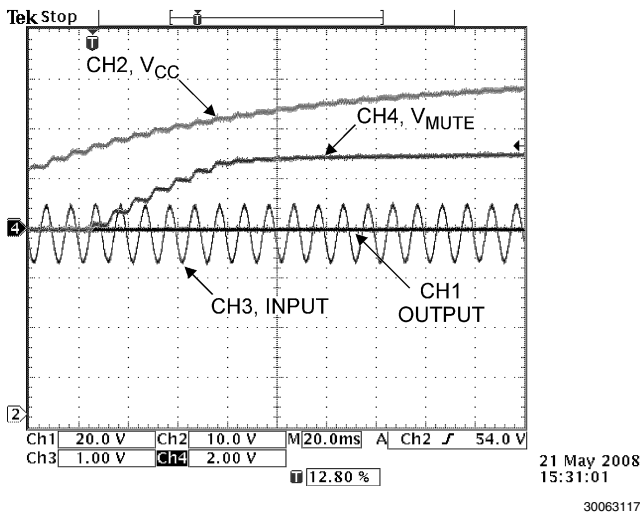


FIGURE 7. Mute at Power On

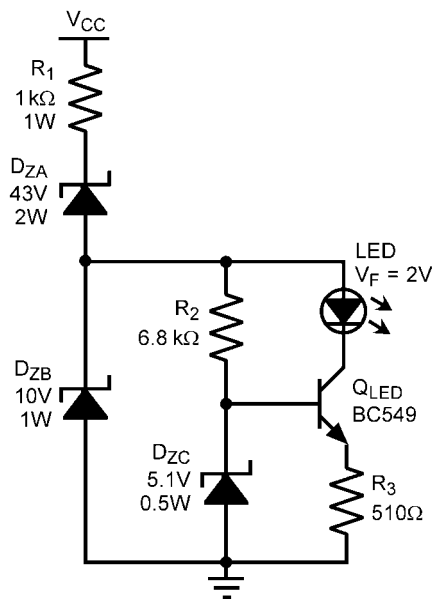
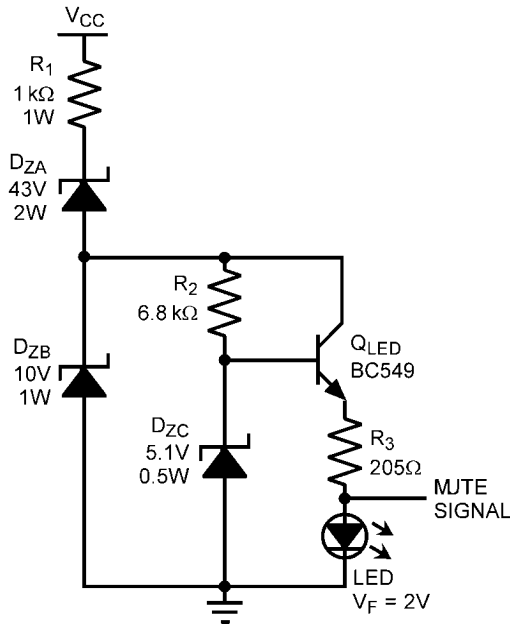


FIGURE 9. Constant Brightness LED Circuit

The LED will first begin to light when the positive supply rail voltage exceeds 45V. Once the positive rail reaches 60V the LED will have 6.5mA of current and only increase to 6.7mA at 80V with indiscernible change in brightness. Zener diode

D_{ZA} sets the minimum threshold for first light of the LED. Combining the values of D_{ZA} , D_{ZB} , along with voltage drop across R_1 sets the voltage when the LED current reaches a constant value and constant brightness. R_3 and D_{ZC} set the LED current and R_2 is used to bias Q_{LED} and limit current through D_{ZC} . By using a 10V Zener diode (D_{ZB}) the power dissipation in Q_{LED} is kept very low so that a small transistor can be used without power dissipation concerns. The trade-off is that the D_{ZA} Zener diode is required to dissipation about 1W when the supply reaches 80V. Figure 9 does not give both constant LED current and the Mute signal control the same as Figure 6 although the Mute control could be taken at the emitter of Q_{LED} . An alternate circuit to combine both Figure 6 and 9 is shown in Figure 10.



30063102

FIGURE 10. Constant Brightness LED and Mute Control Circuit

The circuit in Figure 10 will have the same threshold voltages as Figure 9 and similar Mute control thresholds as Figure 6 but can also be used to control the Mute signal to the audio amplifier module. For a reduced supply voltage window from LED first light to constant brightness, D_{ZA} should be increased while D_{ZB} is reduced. This will increase the LED first light threshold while reducing the additional voltage needed to reach the constant brightness threshold. The value of D_{ZC} may also be adjusted to achieve the designed circuit response.

Summary

The unregulated power supply presented will give very good performance while powering an audio amplifier. While circuit modifications and additions can improve performance the solution presented has a relatively low part count and simplicity is maintained with all circuits. The power supply will provide a $\pm 70V$ to $\pm 73V$ supply under quiescent conditions with full load voltage dropping to $\pm 59V$ to $\pm 62V$.

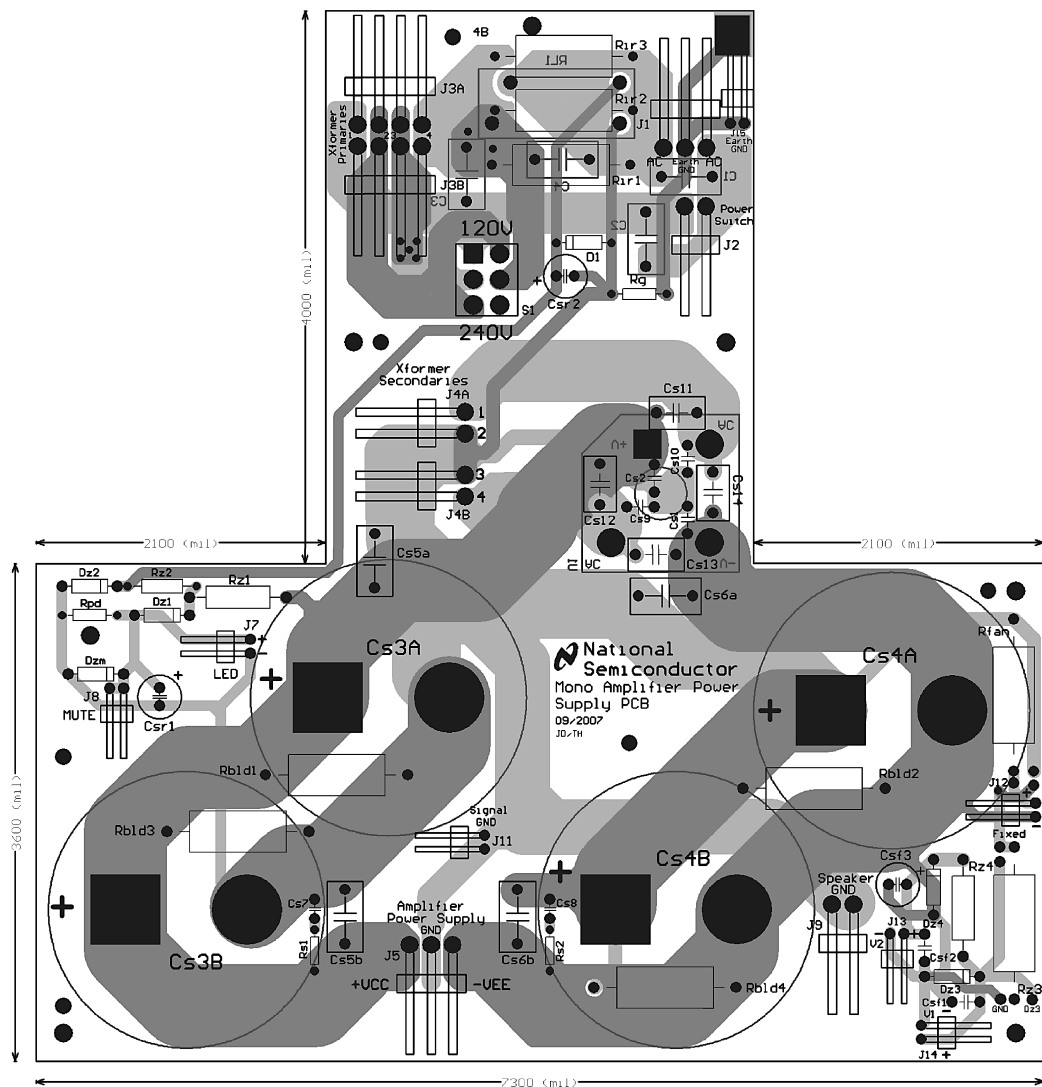
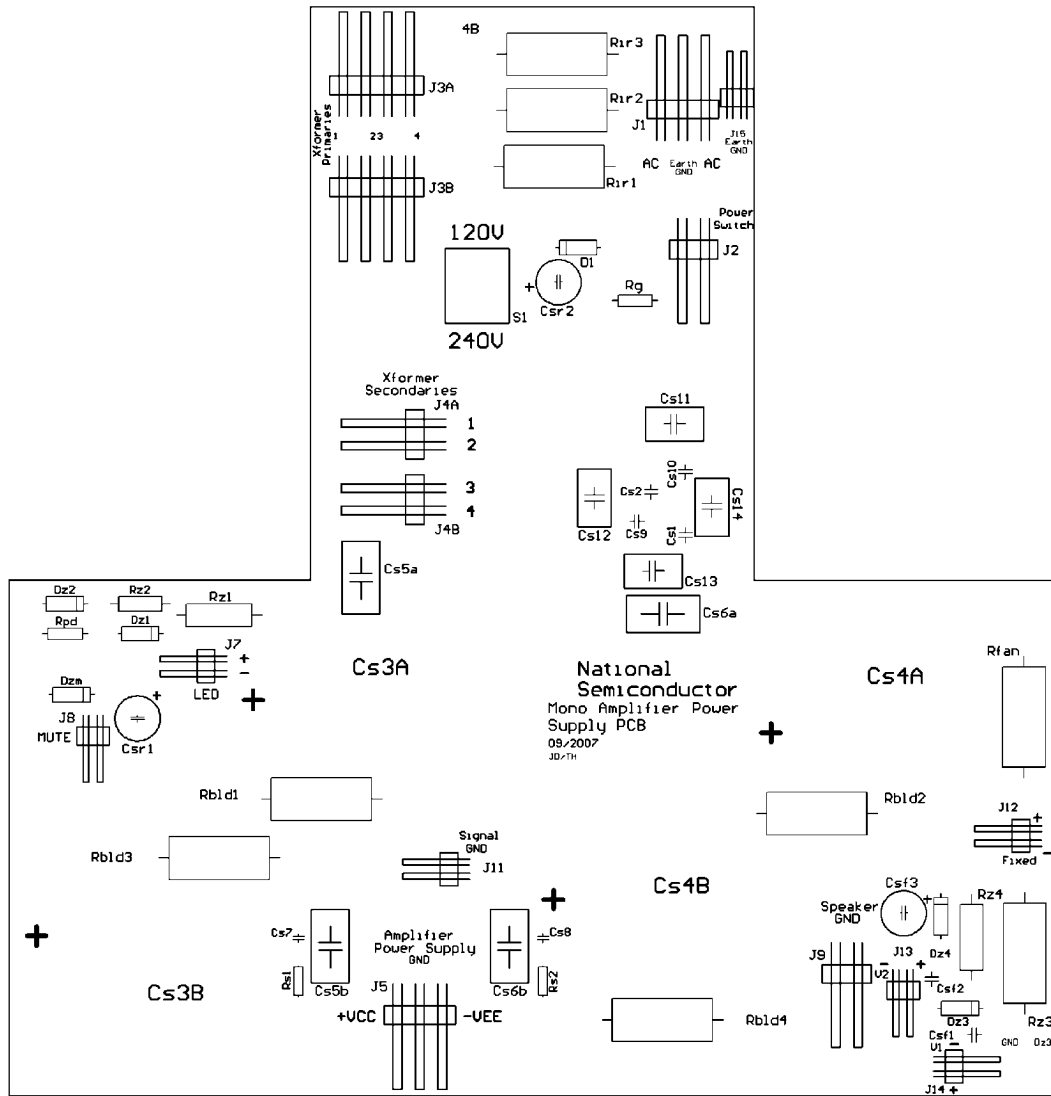
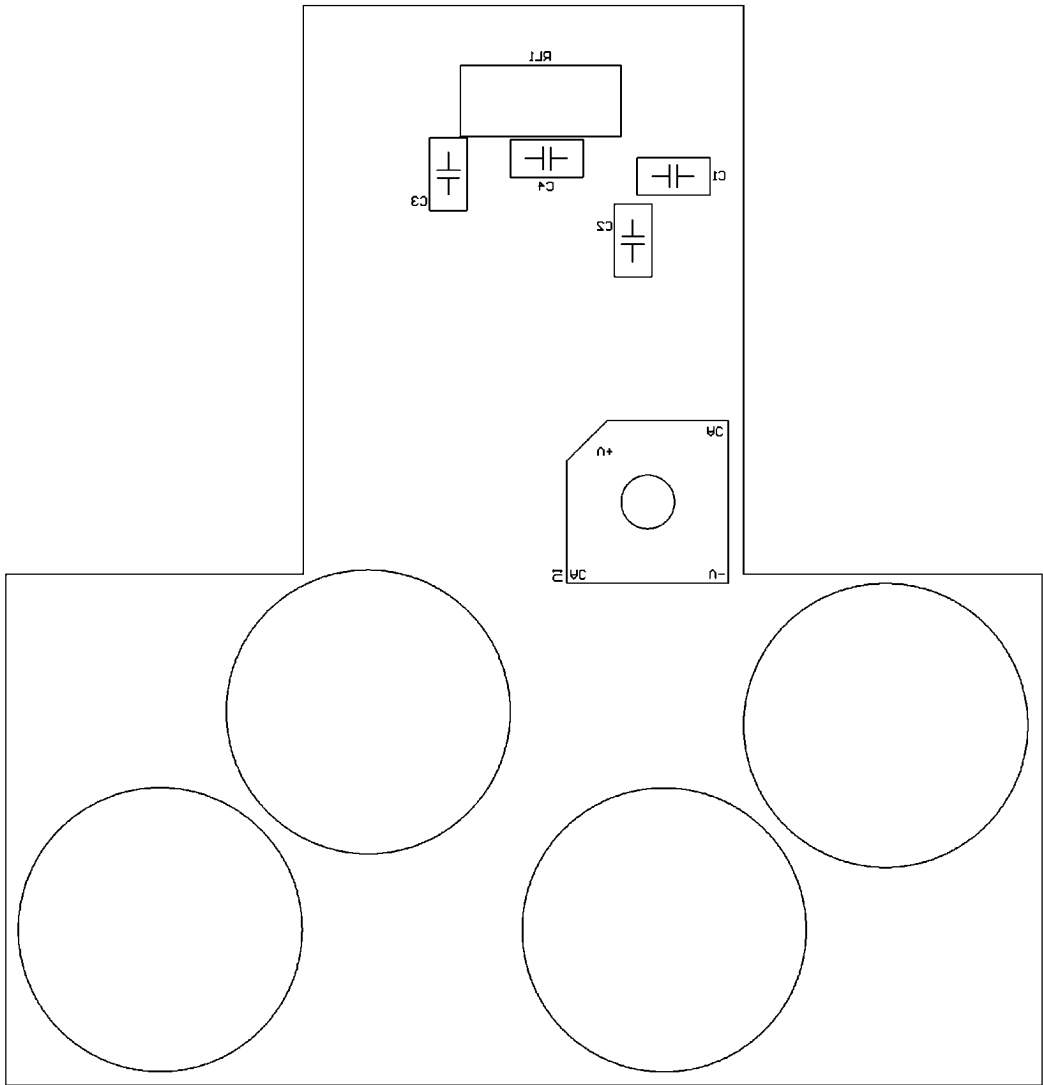


FIGURE 11. PCB Composite View From Top



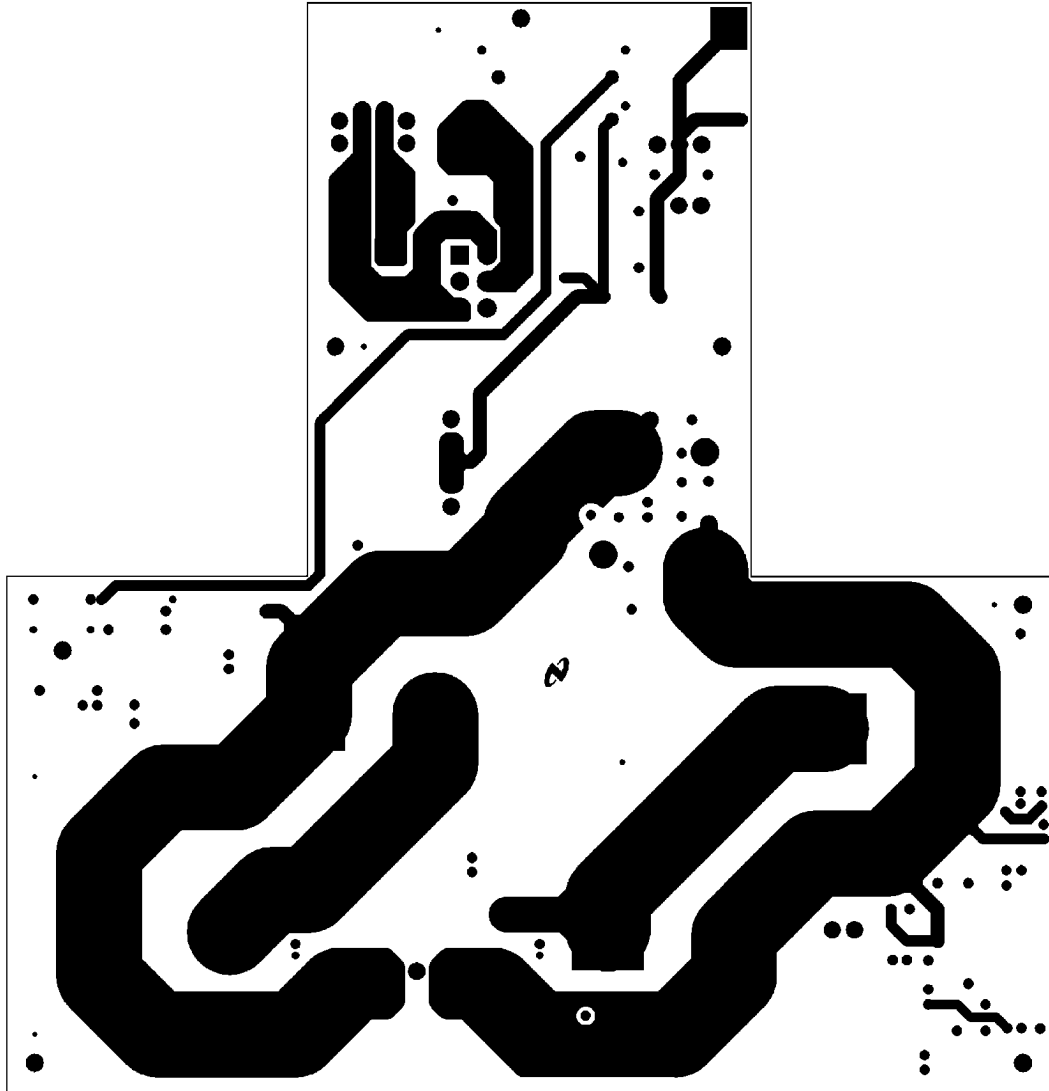
30063111

FIGURE 12. PCB Top Silkscreen View



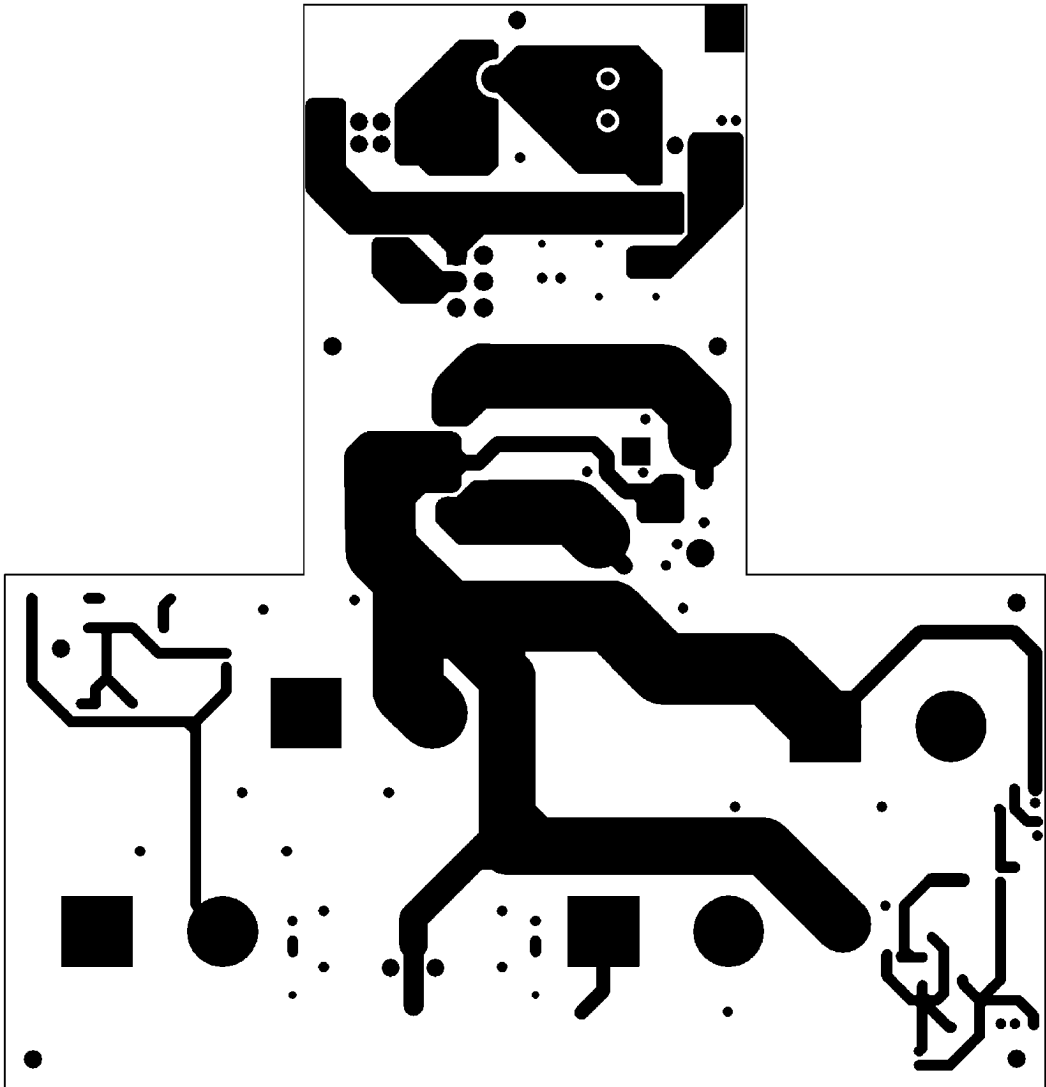
30063109

FIGURE 13. PCB Bottom Silkscreen View



30063112

FIGURE 14. PCB Top Layer View



30063108

FIGURE 15. PCB Bottom Layer View

Bill Of Materials

TABLE 1. Bill Of Materials

Reference	Value	Tolerance	Description	Manufacturer	Part Number
C1, C2, C4	0.01 μ F	10%	400V, metalized polyester film, 7.5mm lead spacing	Panasonic	ECQ-E4103KF
C3			Not Used		
CS1, CS2, CS7, CS8, CS9, CS10,	0.1 μ F	10%	100V ceramic, X7R type, 200mil lead spacing	AVX Corporation	SR211C104KAR
CS11, CS12, CS13, CS14	0.1 μ F	10%	250V, metalized polyester film, 7.5mm lead spacing	Panasonic	ECQ-E2104KF
CS3A, CS3B, CS4A, CS4B	20,000 μ F	20%	100V electrolytic can	CDE Cornell Dubilier	DCMC203U100B C2B
CS5A, CS5B, CS6A, CS6B	1 μ F	10%	100V, metalized polyester film, 10mm lead spacing	Panasonic	ECQ-E1105KF
CSR1, CSR2	1 μ F	20%	63V electrolytic radial, 2mm lead spacing	Panasonic	EEU-EB1J1R0S
D1	1A		400V diode, DO-41	Vishay Semiconductor	1N4004-E3/54
DZ1	51V	5%	2W Zener diode, DO-41	Microsemi Corporation	2EZ51D5DO41
DZ2	43V	5%	2W Zener diode, DO-41	Microsemi Corporation	2EZ43D5DO41
DZM	3.9V	5%	500mW Zener diode, DO-35	Diodes Inc.	1N5228B-T
RBLD1, RBLD2, RBLD3, RBLD4	2k Ω	5%	5W metal oxide	International Yageo Corporation	SQP500JB-2K0
RFAN	1.2k Ω	5%	5W metal oxide	International Yageo Corporation	SQP500JB-1K2
RIR1, RIR2, RIR3	68 Ω	1%	5W wirewound silicone	Huntington Electric, Inc.	ALSR-5-68-1%
RS1, RS2	1 Ω	5%	¼ Watt carbon film	Panasonic	ERD-S2TJ1R0V
RG	100 Ω	1%	¼ Watt metal film	International Yageo Corporation	MFR-25FBF-100 R
RZ1	560 Ω	5%	1 Watt metal oxide film	Panasonic	ERG-1SJ561
RZ2	390 Ω	5%	½ Watt carbon film	Panasonic	ERD-S1TJ391V
RPD	10k Ω	5%	¼ Watt carbon film	Panasonic	ERD-S2TJ103V
RL1	16A		48V, 400mW SPST, N.O., relay	Panasonic Electric Works	ALE15B48
U1	35A		700V bridge rectifier	Fairchild Semiconductor	GBPC3510W

Reference	Value	Tolerance	Description	Manufacturer	Part Number
S1	6A		DPDT PCB mount, mini slide switch	C&K Components	1201M2S1CQE2
J1, J5			3 pin 156mil header, right angle, tin plating	Molex/Waldom Electronics Corp.	26-60-5030
J2, J9, J4A, J4B			2 pin 156mil header, right angle, tin plating	Molex/Waldom Electronics Corp.	26-60-5020
J3A, J3B			4 pin 156mil header, right angle, tin plating	Molex/Waldom Electronics Corp.	26-60-5040
J7, J8, J11, J12, J13, J14, J15			2 pin 100mil header, right angle, tin plating	Molex/Waldom Electronics Corp.	22-05-3021
Transformer1, Transformer2	24V, 300VA		Dual primary, dual secondary, torrid transformer	Plitron Manufacturing Inc.	77060201
	$\theta_{CA} = 16.5^{\circ}\text{C/W}$		Peel & stick heat sink for bridge, 1.21" square, 0.55" tall	CTS Electronic Components, Inc	BDN12-5CB/A01
RZ3, RZ4, DZ3, DZ4, CSF1, CSF2, CSF3			Option unused circuits		

Revision History

Rev	Date	Description
1.0	06/03/08	Initial release.
1.01	03/15/10	Deleted all references to AN-1625.

For more National Semiconductor product information and proven design tools, visit the following Web sites at:
www.national.com

Products		Design Support	
Amplifiers	www.national.com/amplifiers	WEBENCH® Tools	www.national.com/webench
Audio	www.national.com/audio	App Notes	www.national.com/appnotes
Clock and Timing	www.national.com/timing	Reference Designs	www.national.com/refdesigns
Data Converters	www.national.com/adc	Samples	www.national.com/samples
Interface	www.national.com/interface	Eval Boards	www.national.com/evalboards
LVDS	www.national.com/lvds	Packaging	www.national.com/packaging
Power Management	www.national.com/power	Green Compliance	www.national.com/quality/green
Switching Regulators	www.national.com/switchers	Distributors	www.national.com/contacts
LDOs	www.national.com/ldo	Quality and Reliability	www.national.com/quality
LED Lighting	www.national.com/led	Feedback/Support	www.national.com/feedback
Voltage References	www.national.com/vref	Design Made Easy	www.national.com/easy
PowerWise® Solutions	www.national.com/powerwise	Applications & Markets	www.national.com/solutions
Serial Digital Interface (SDI)	www.national.com/sdi	Mil/Aero	www.national.com/milaero
Temperature Sensors	www.national.com/tempensors	SolarMagic™	www.national.com/solarmagic
PLL/VCO	www.national.com/wireless	PowerWise® Design University	www.national.com/training

THE CONTENTS OF THIS DOCUMENT ARE PROVIDED IN CONNECTION WITH NATIONAL SEMICONDUCTOR CORPORATION ("NATIONAL") PRODUCTS. NATIONAL MAKES NO REPRESENTATIONS OR WARRANTIES WITH RESPECT TO THE ACCURACY OR COMPLETENESS OF THE CONTENTS OF THIS PUBLICATION AND RESERVES THE RIGHT TO MAKE CHANGES TO SPECIFICATIONS AND PRODUCT DESCRIPTIONS AT ANY TIME WITHOUT NOTICE. NO LICENSE, WHETHER EXPRESS, IMPLIED, ARISING BY ESTOPPEL OR OTHERWISE, TO ANY INTELLECTUAL PROPERTY RIGHTS IS GRANTED BY THIS DOCUMENT.

TESTING AND OTHER QUALITY CONTROLS ARE USED TO THE EXTENT NATIONAL DEEMS NECESSARY TO SUPPORT NATIONAL'S PRODUCT WARRANTY. EXCEPT WHERE MANDATED BY GOVERNMENT REQUIREMENTS, TESTING OF ALL PARAMETERS OF EACH PRODUCT IS NOT NECESSARILY PERFORMED. NATIONAL ASSUMES NO LIABILITY FOR APPLICATIONS ASSISTANCE OR BUYER PRODUCT DESIGN. BUYERS ARE RESPONSIBLE FOR THEIR PRODUCTS AND APPLICATIONS USING NATIONAL COMPONENTS. PRIOR TO USING OR DISTRIBUTING ANY PRODUCTS THAT INCLUDE NATIONAL COMPONENTS, BUYERS SHOULD PROVIDE ADEQUATE DESIGN, TESTING AND OPERATING SAFEGUARDS.

EXCEPT AS PROVIDED IN NATIONAL'S TERMS AND CONDITIONS OF SALE FOR SUCH PRODUCTS, NATIONAL ASSUMES NO LIABILITY WHATSOEVER, AND NATIONAL DISCLAIMS ANY EXPRESS OR IMPLIED WARRANTY RELATING TO THE SALE AND/OR USE OF NATIONAL PRODUCTS INCLUDING LIABILITY OR WARRANTIES RELATING TO FITNESS FOR A PARTICULAR PURPOSE, MERCHANTABILITY, OR INFRINGEMENT OF ANY PATENT, COPYRIGHT OR OTHER INTELLECTUAL PROPERTY RIGHT.

LIFE SUPPORT POLICY

NATIONAL'S PRODUCTS ARE NOT AUTHORIZED FOR USE AS CRITICAL COMPONENTS IN LIFE SUPPORT DEVICES OR SYSTEMS WITHOUT THE EXPRESS PRIOR WRITTEN APPROVAL OF THE CHIEF EXECUTIVE OFFICER AND GENERAL COUNSEL OF NATIONAL SEMICONDUCTOR CORPORATION. As used herein:

Life support devices or systems are devices which (a) are intended for surgical implant into the body, or (b) support or sustain life and whose failure to perform when properly used in accordance with instructions for use provided in the labeling can be reasonably expected to result in a significant injury to the user. A critical component is any component in a life support device or system whose failure to perform can be reasonably expected to cause the failure of the life support device or system or to affect its safety or effectiveness.

National Semiconductor and the National Semiconductor logo are registered trademarks of National Semiconductor Corporation. All other brand or product names may be trademarks or registered trademarks of their respective holders.

Copyright© 2010 National Semiconductor Corporation

For the most current product information visit us at www.national.com



National Semiconductor Americas Technical Support Center
 Email: support@nsc.com
 Tel: 1-800-272-9959

National Semiconductor Europe Technical Support Center
 Email: europe.support@nsc.com

National Semiconductor Asia Pacific Technical Support Center
 Email: ap.support@nsc.com

National Semiconductor Japan Technical Support Center
 Email: jpn.feedback@nsc.com