

Bang & Olufsen

**Beovision
LX 4500/5500**

Type 39xx

**Beovision
LX 4500/5500
White/Grey Line**

**Beovision
L 4500/5500**

Type 39xx

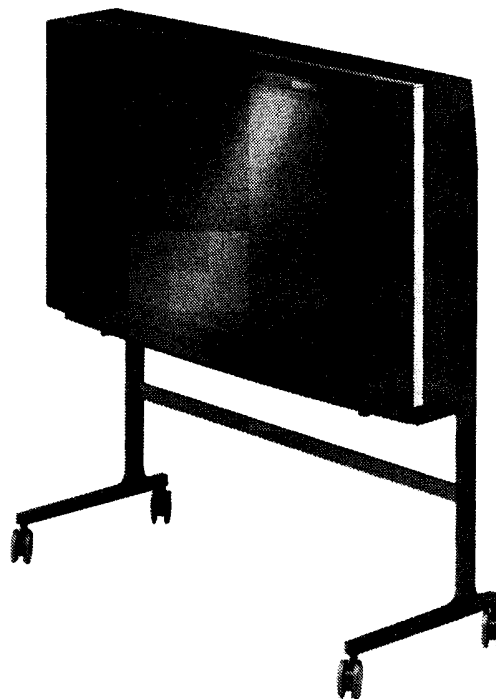
Beovision MX 3500

Type 316x/317x/318X

Beovision MX 5500

Type 326x/327x/328x

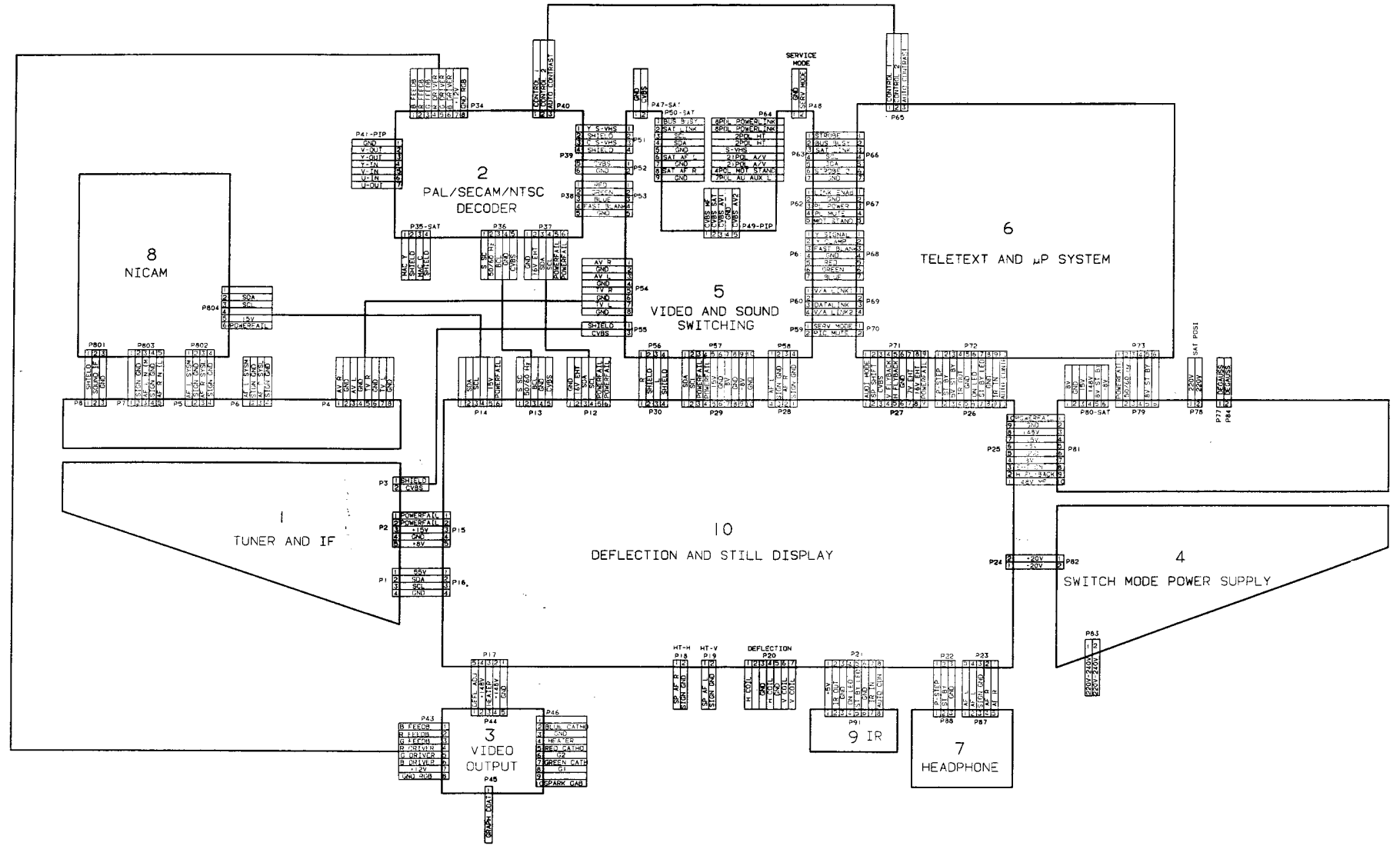
Picture-in-picture



PLUG SURVEY

M

Te



TRANSDUCER

29 8003719
Transpose

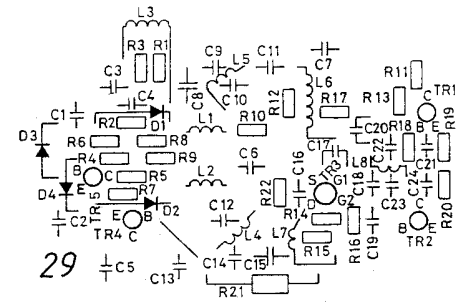
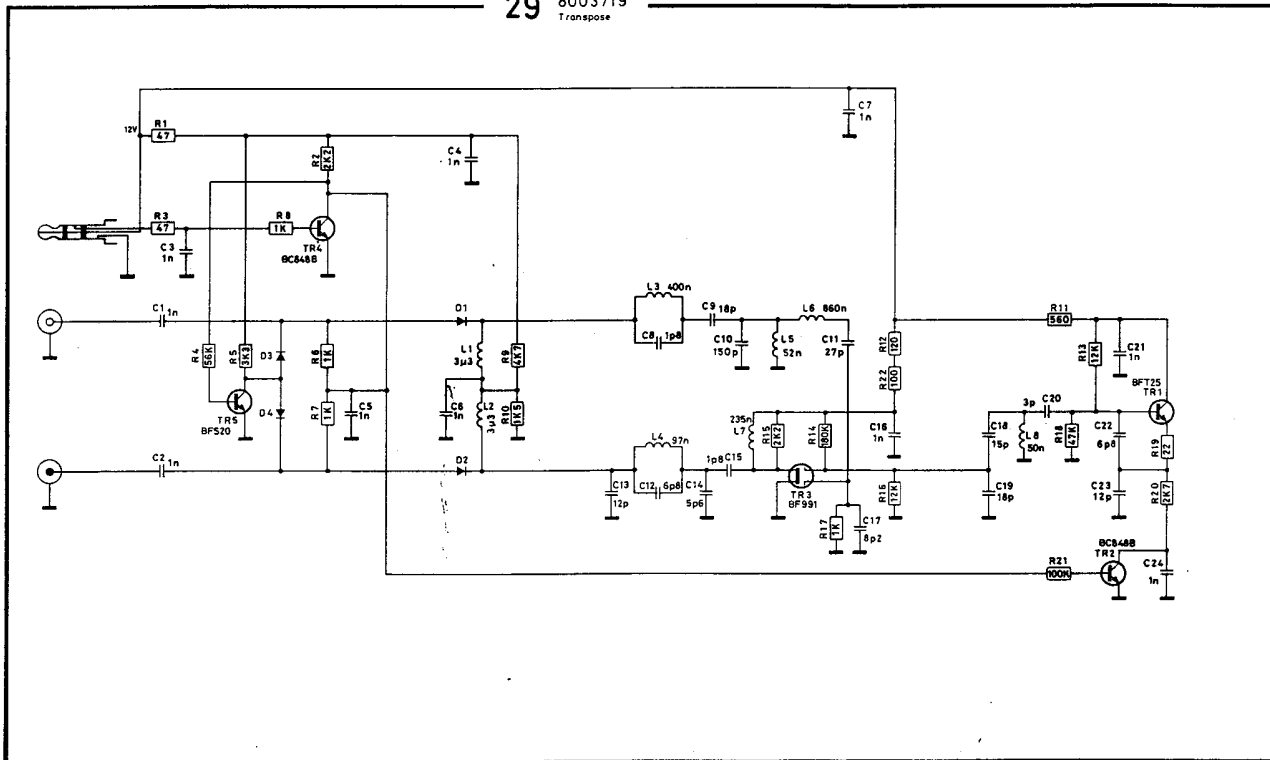


DIAGRAM A TUNER AND IF SYSTEM

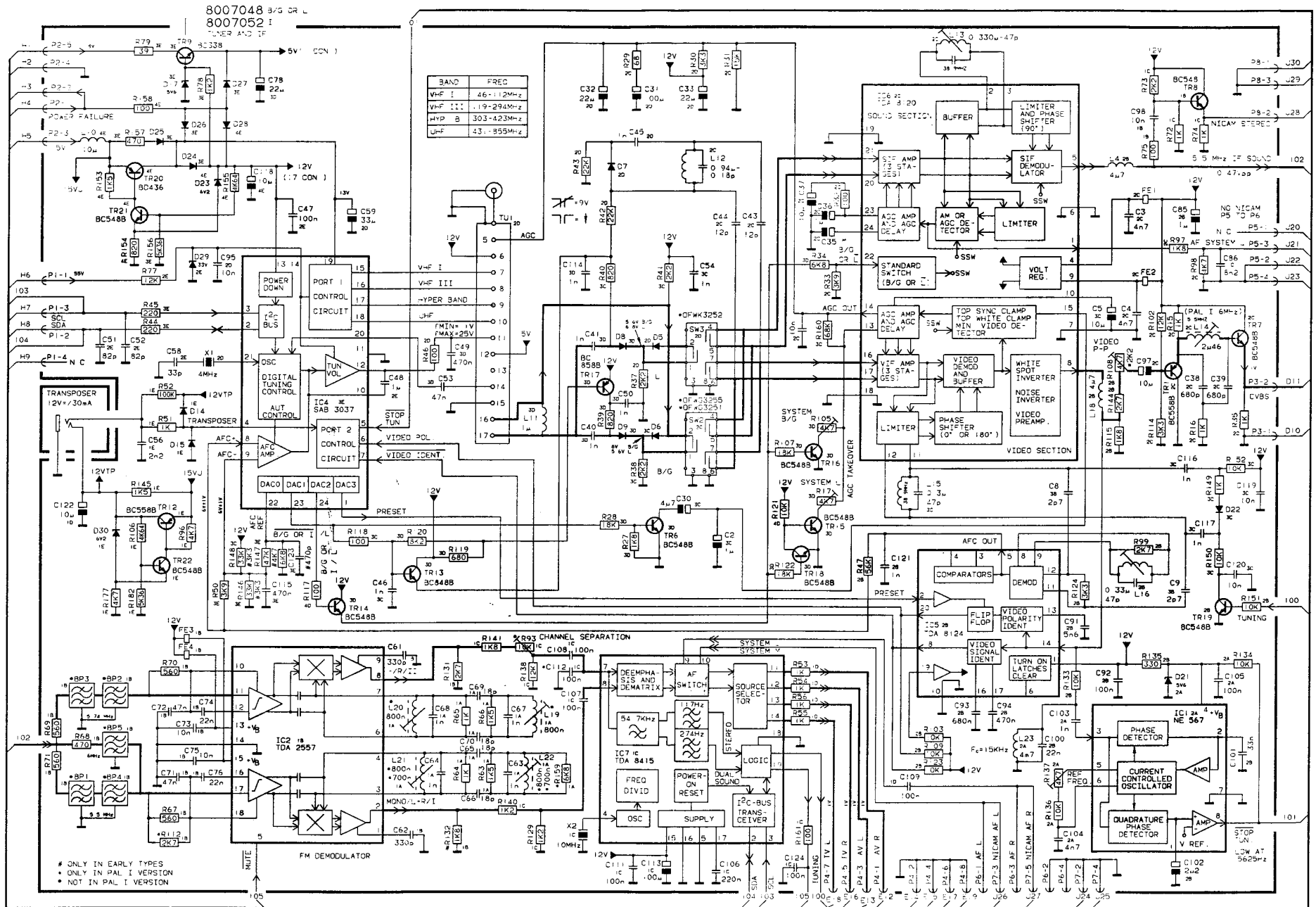


DIAGRAM B PAL/SECAM/NTSC DECODE

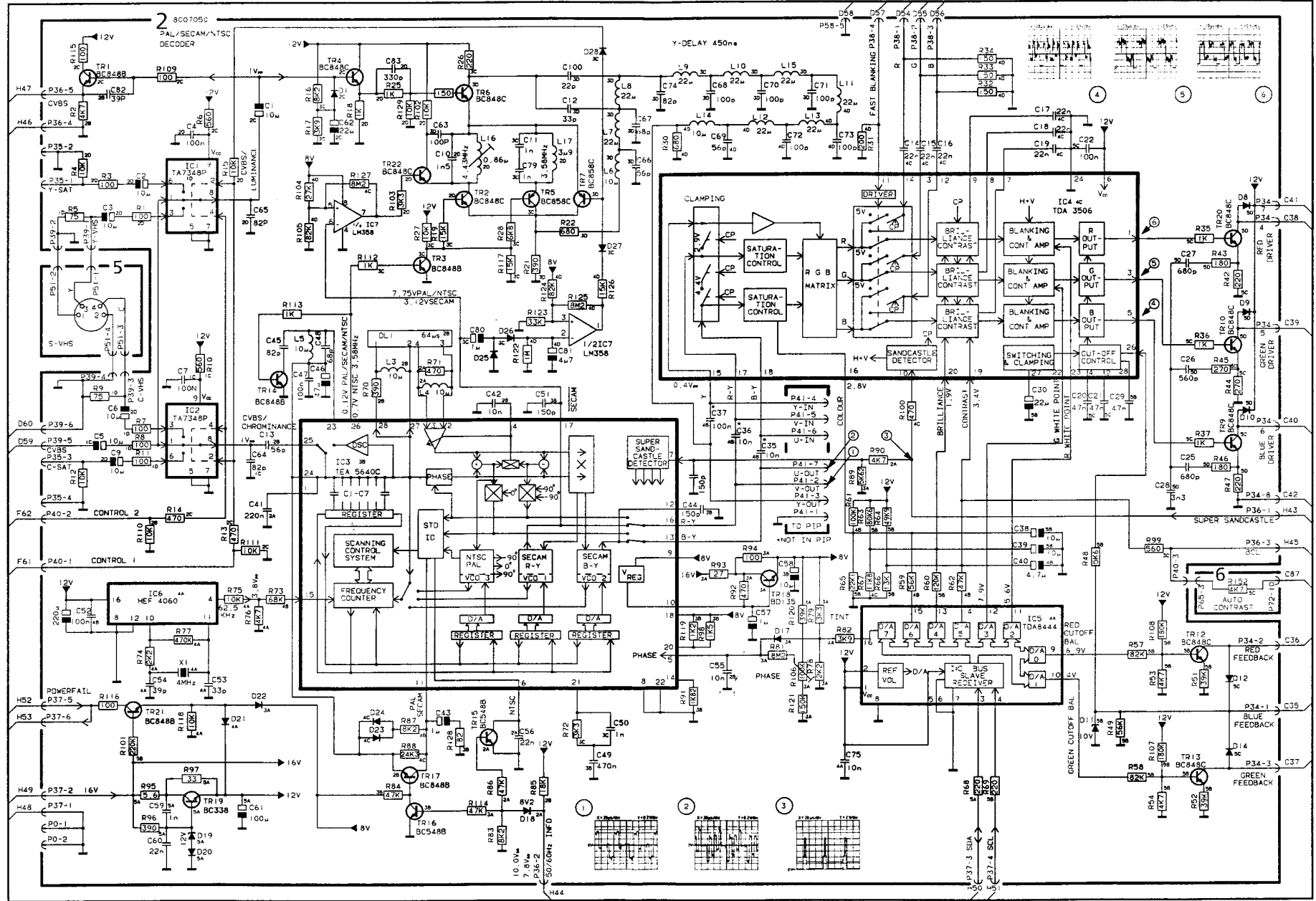
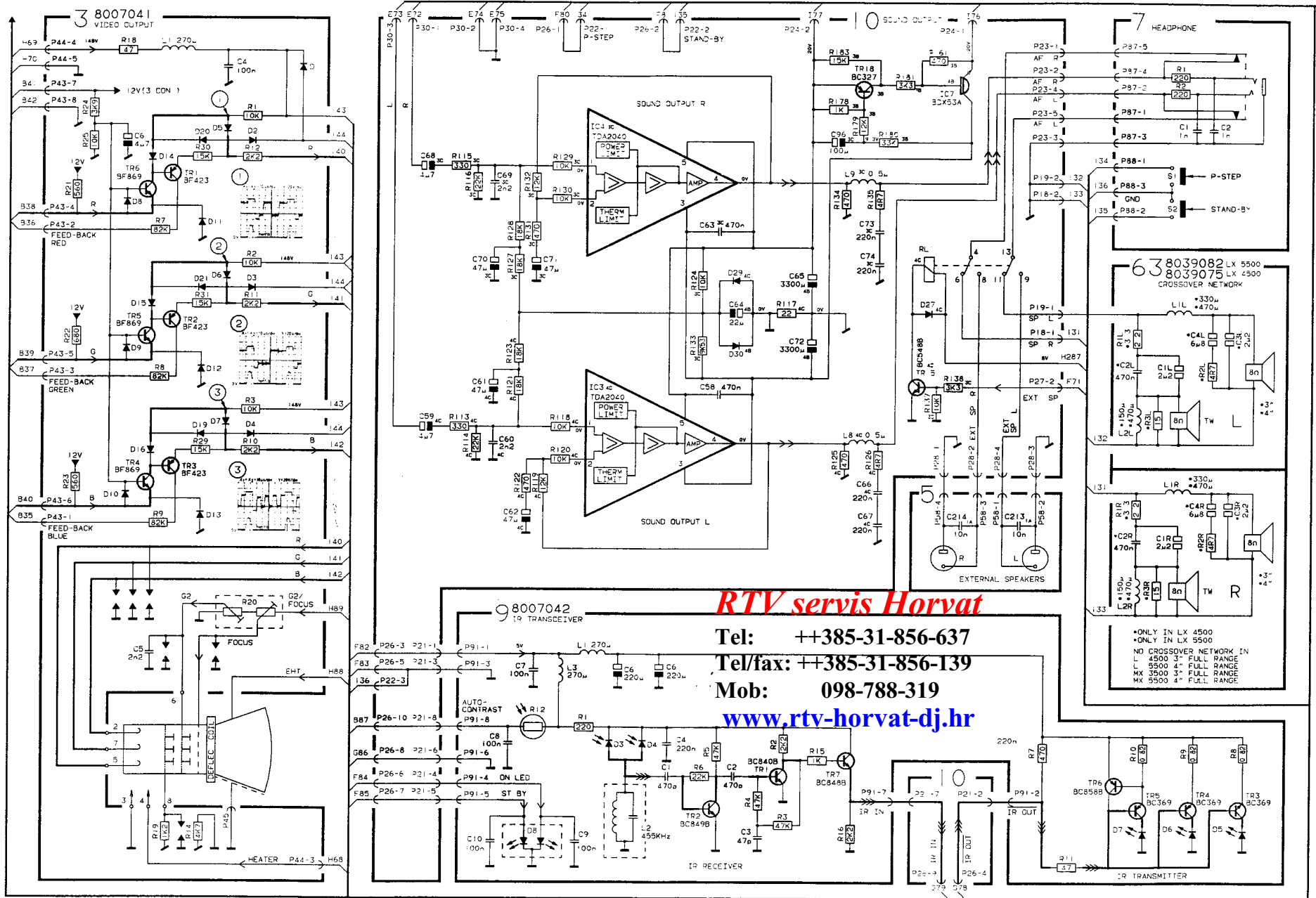


DIAGRAM C VIDEO OUTPUT, SOUND OUTPUT, IR TRANSCEIVER, HEADPHONE, CROSSOVER NETWORK



RTV servis Horvat

Tel: ++385-31-856-637

Tel/fax: ++385-31-856-139

Mob: 098-788-319

www.rtv-horvat-dj.hr

8039082 LX 5500
8039075 LX 4500
CROSSOVER NETWORK

L1L 330μ
L1L 470μ

*CAL 6μ8
*C2R 470n
*C2L 470n
*C1R 2μ2
*C1L 2μ2
*R2R 47k
*R2L 47k
*R1R 15k
*R1L 15k

8n
8n
8n
8n

*ONLY IN LX 4500
*ONLY IN LX 5500
NO CROSSOVER NETWORK IN
L 4500 3" FULL RANGE
L 5500 4" FULL RANGE
MX 5500 3" FULL RANGE
MX 5500 4" FULL RANGE

DIAGRAM D VIDEO SWITCHING

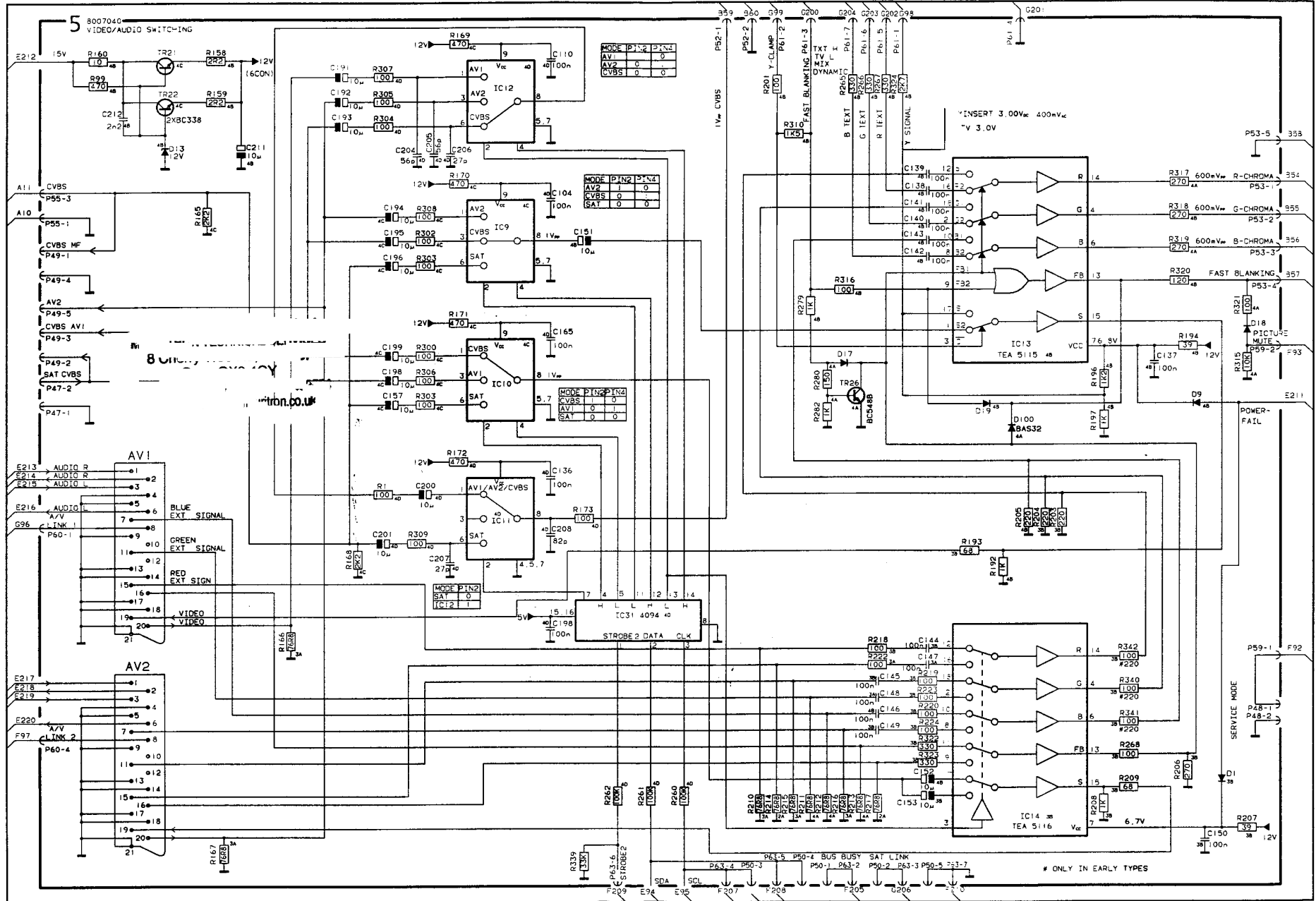


DIAGRAM E SOUND SWITCHING

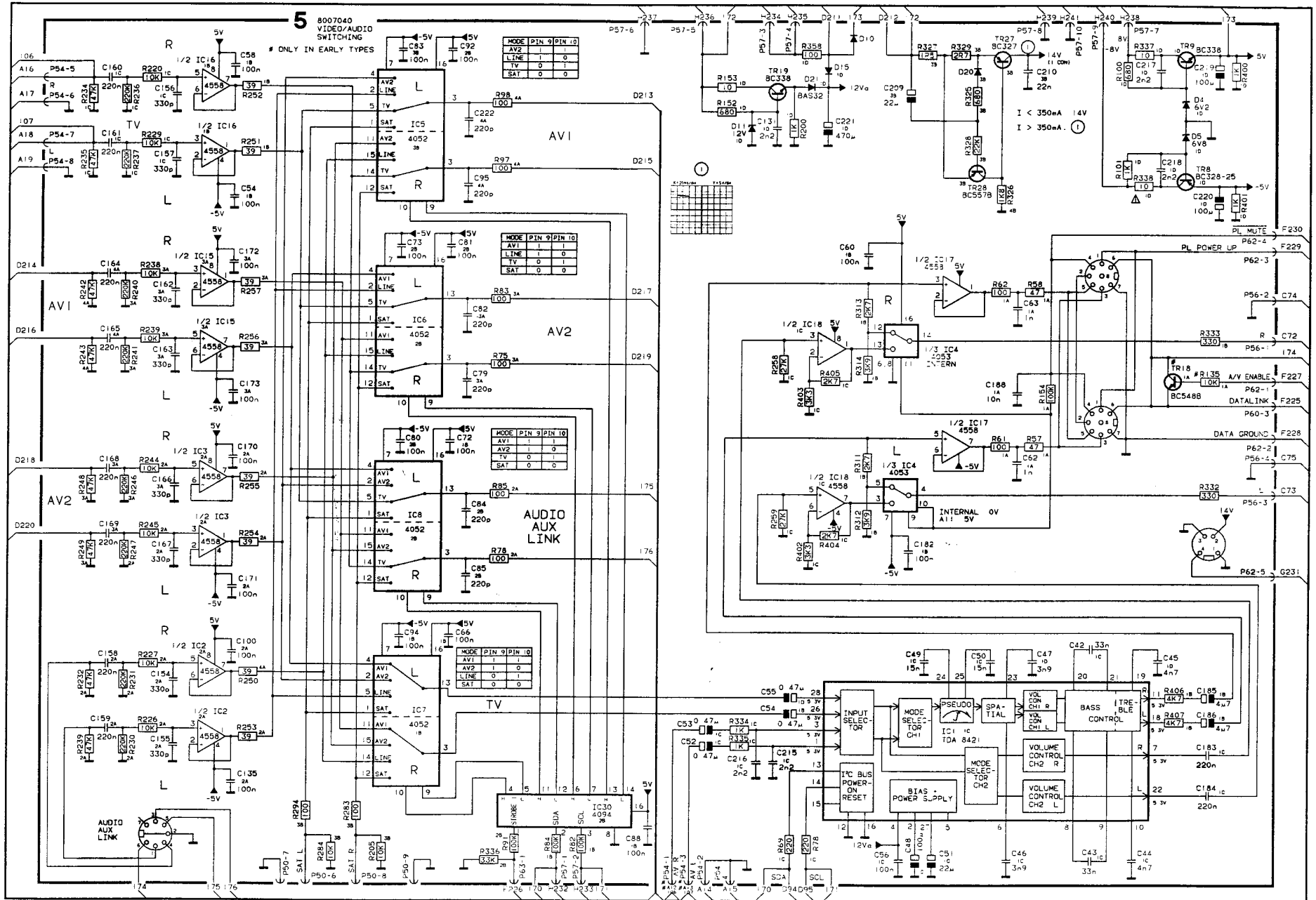


DIAGRAM F MICROCOMPUTER

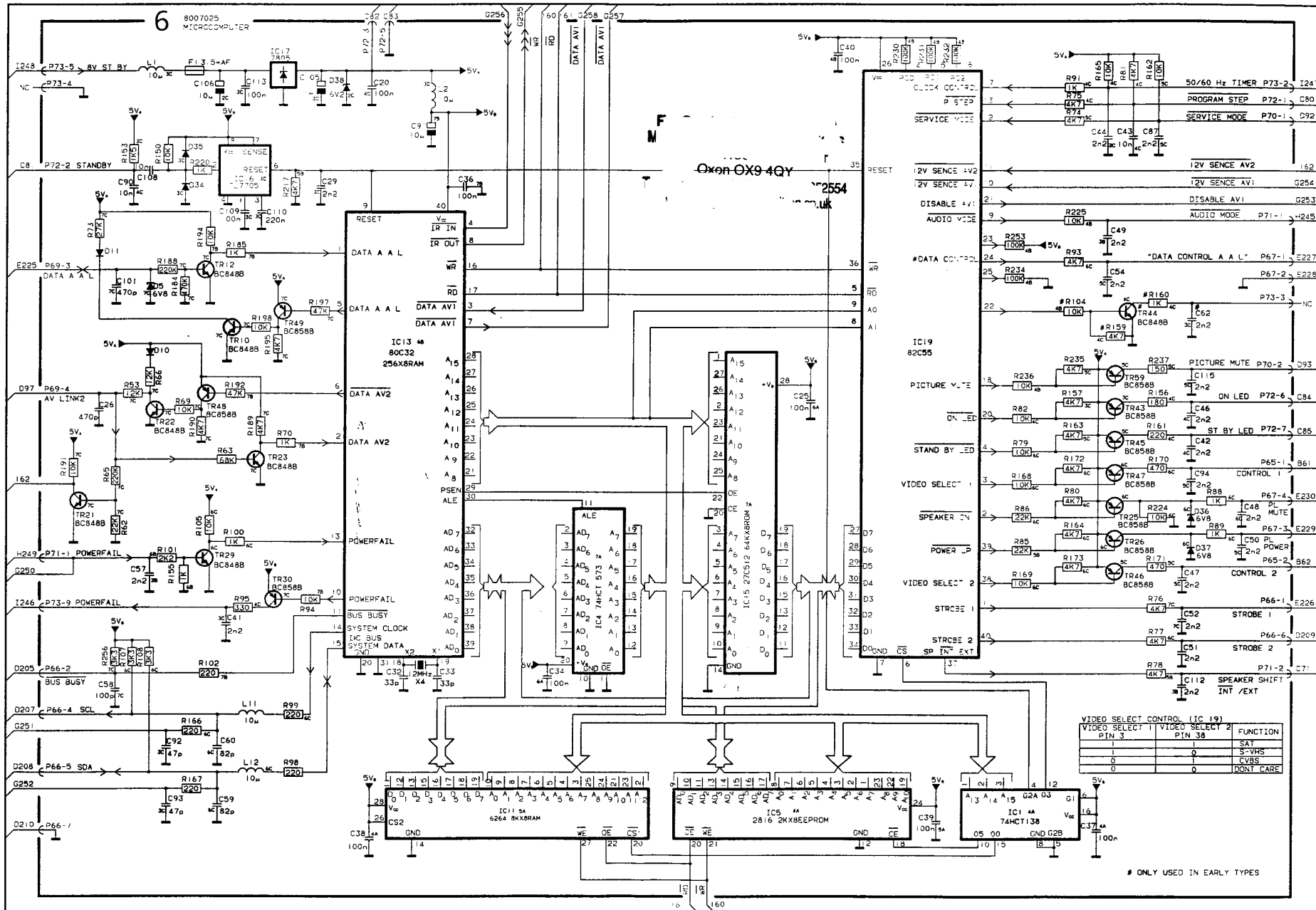


DIAGRAM G TEXTDECODER, IR RECEIVER, IR TRANSMITTER

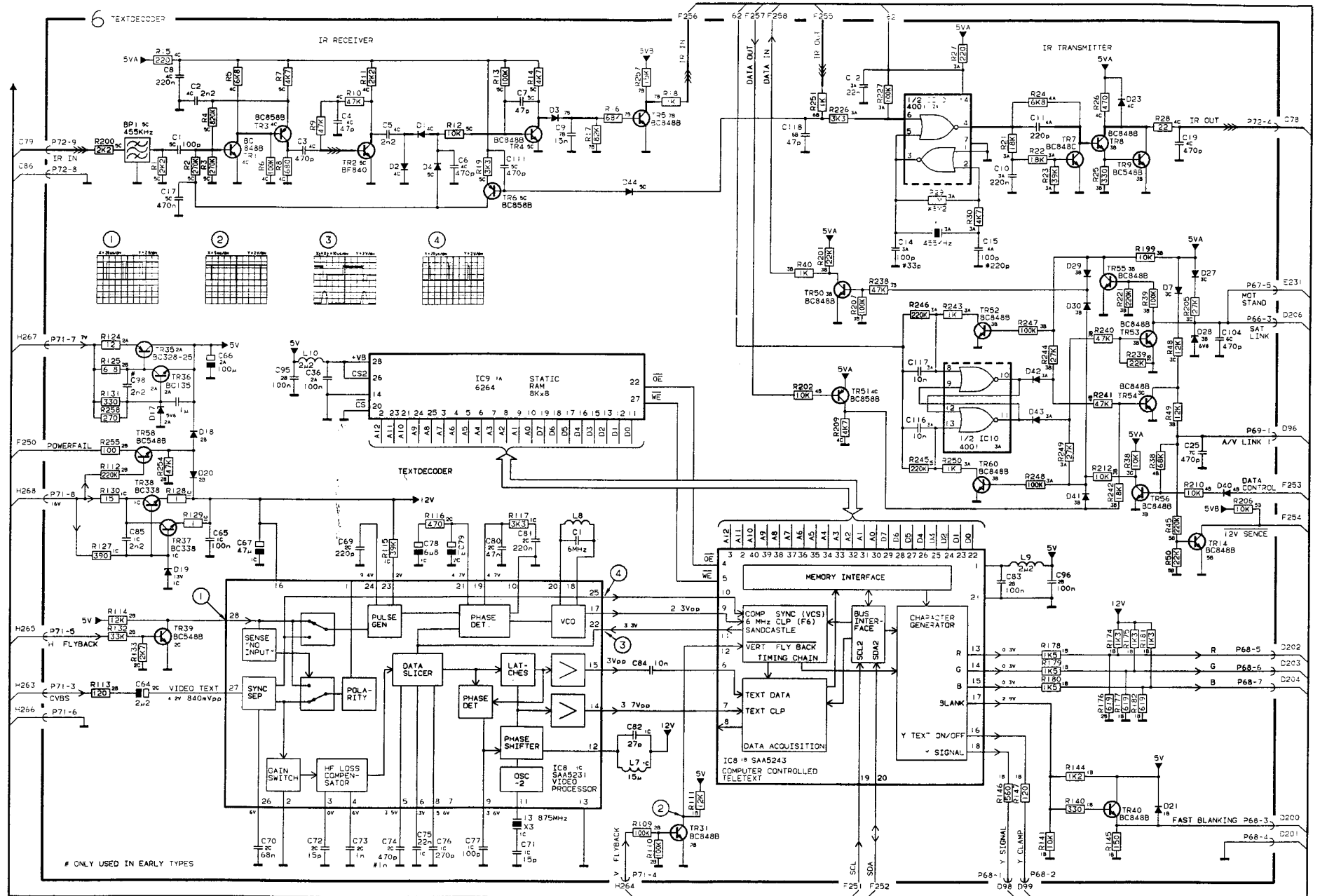


DIAGRAM H DEFLECTION AND STILL DISPLAY

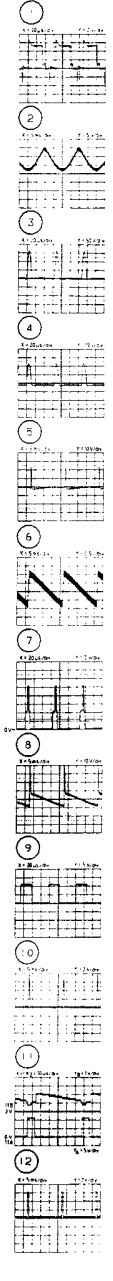
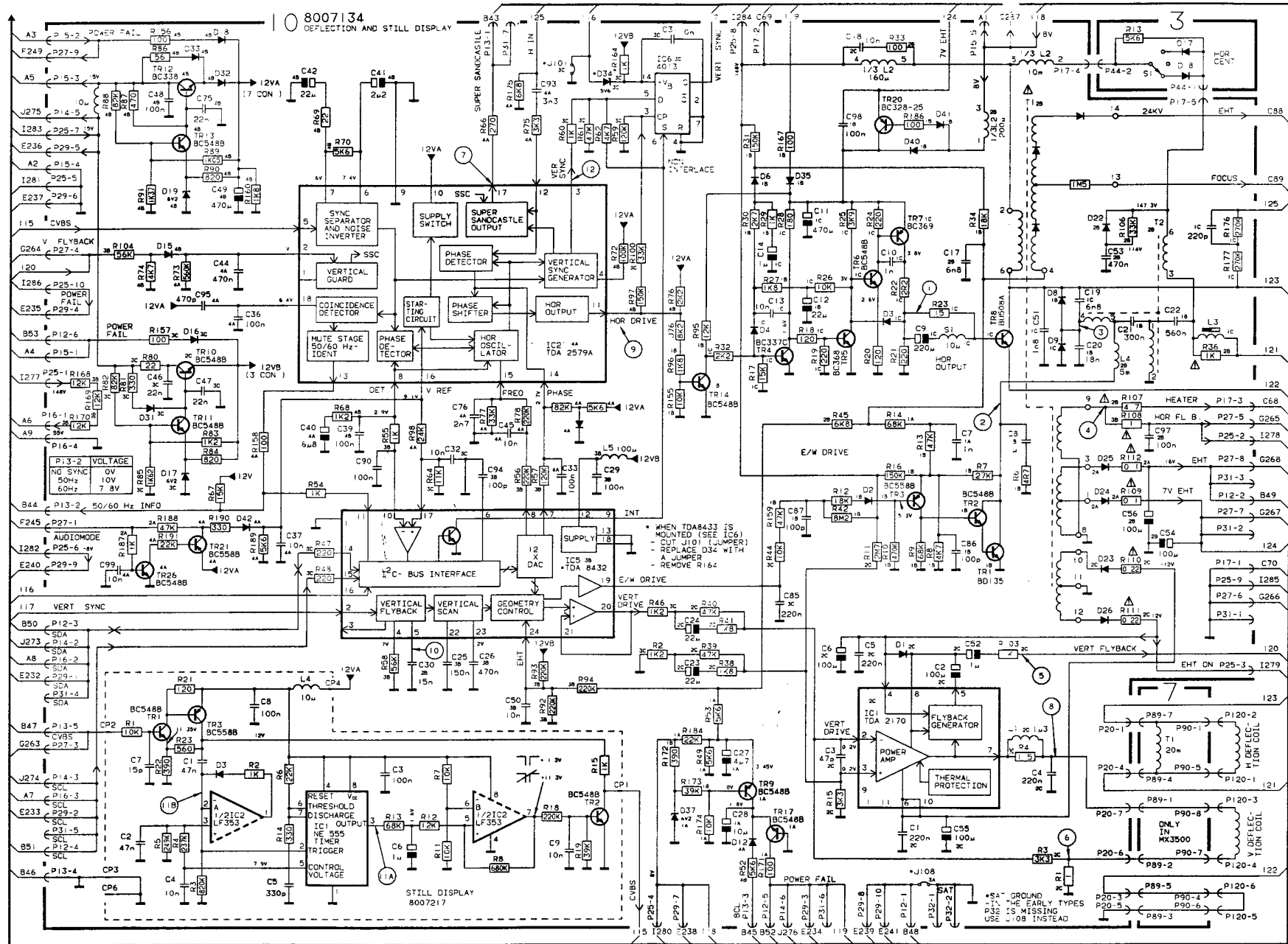


DIAGRAM H DEFLECTION AND STILL DISPLAY, PCB E VERSION

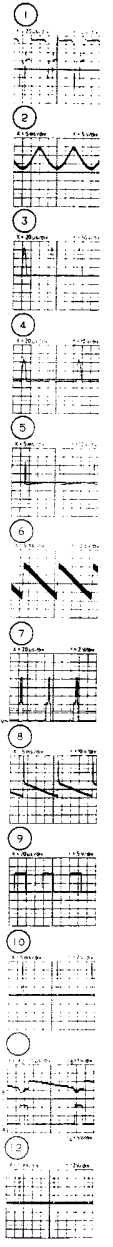
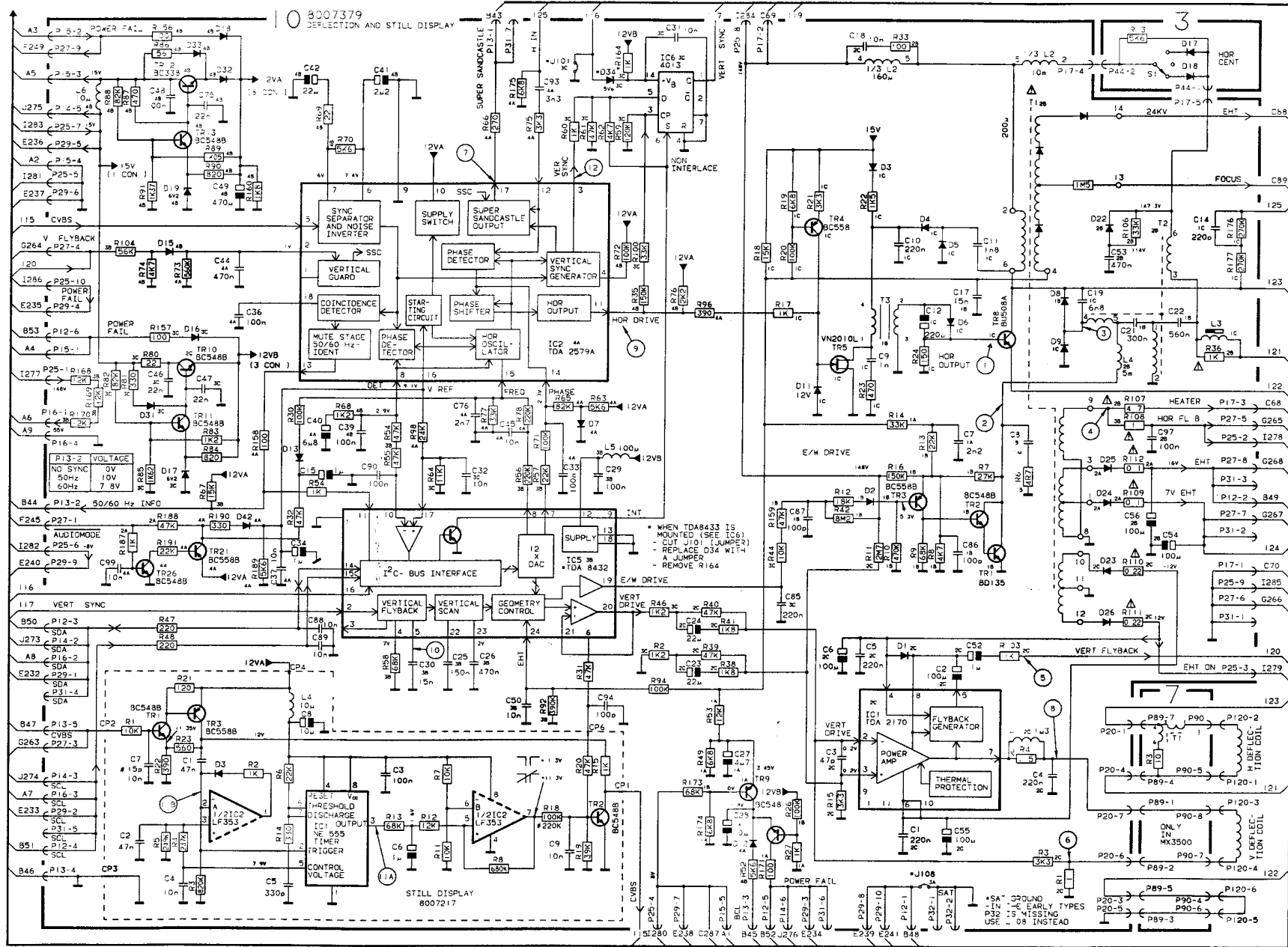


DIAGRAM | SWITCH MODE POWER SUPPLY

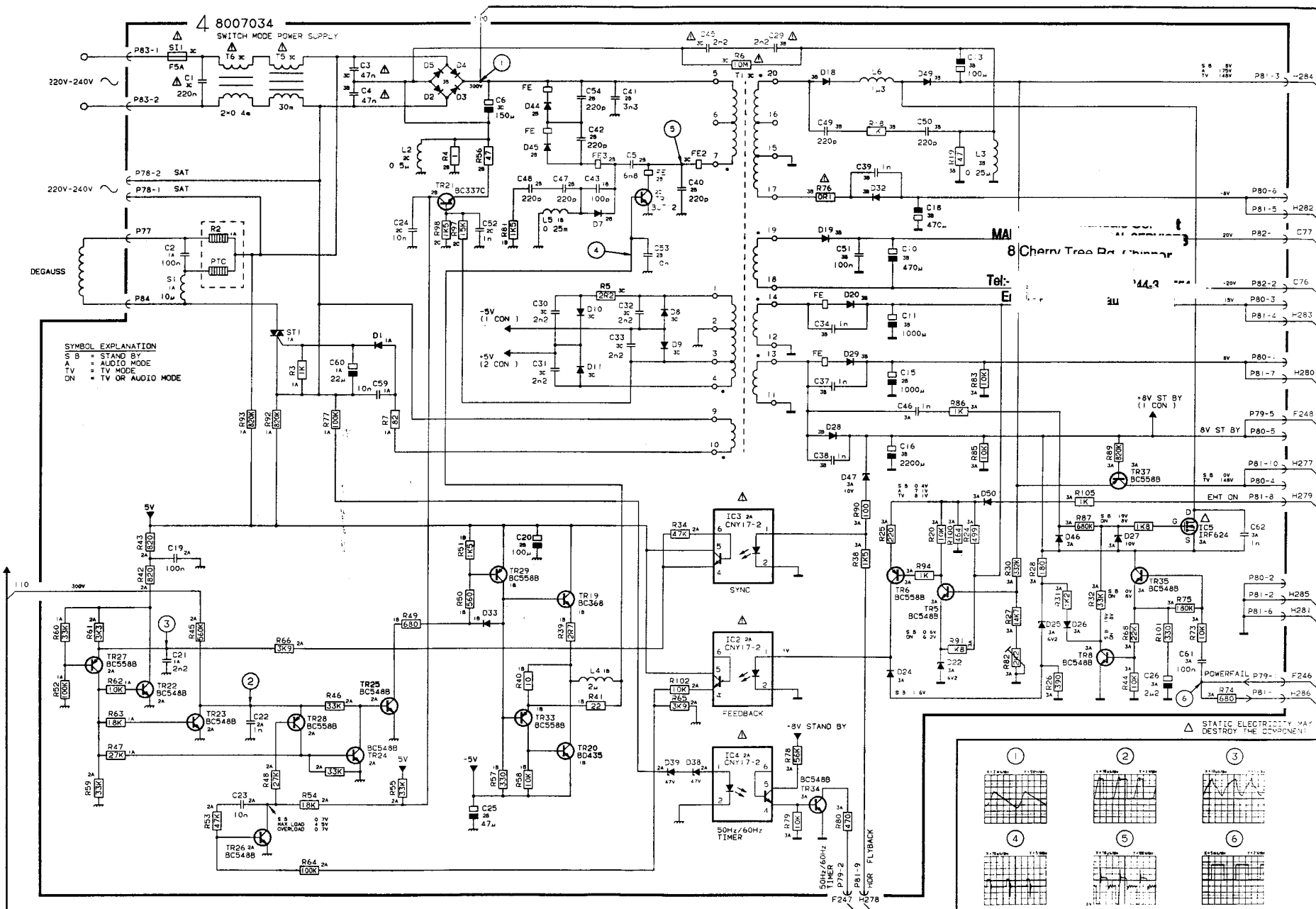


DIAGRAM I SWITCH MODE POWER SUPPLY, PCB G VERSION

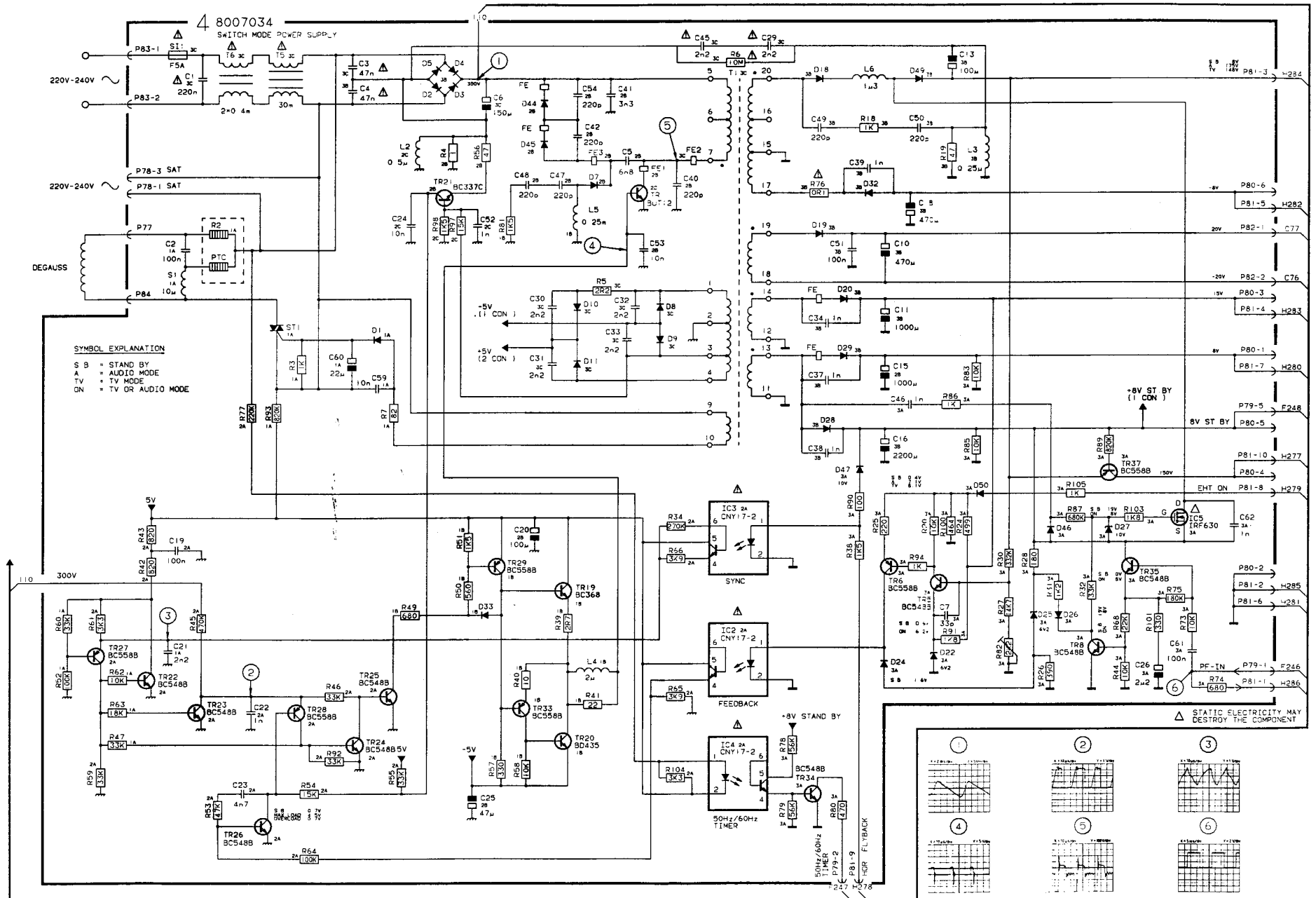
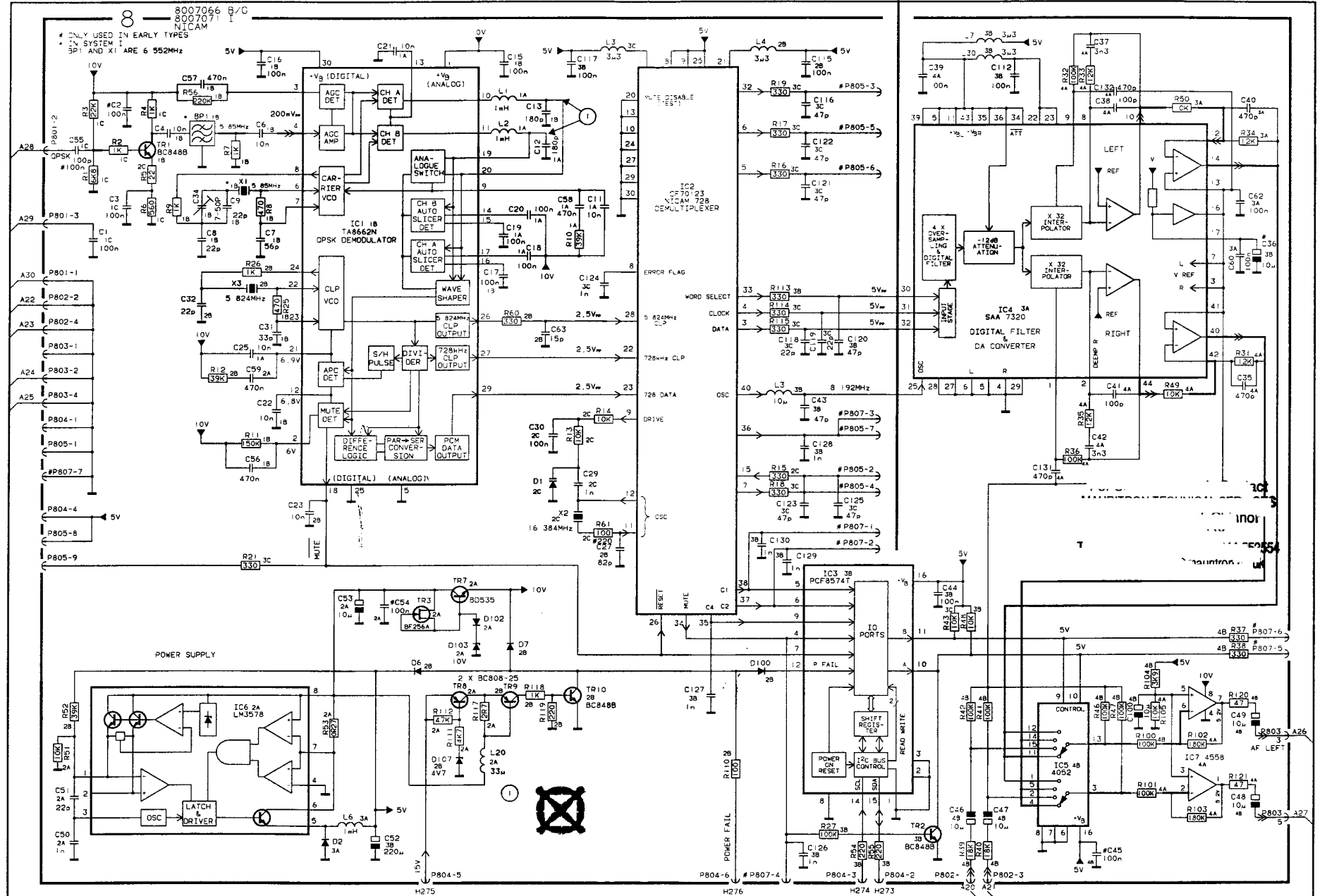


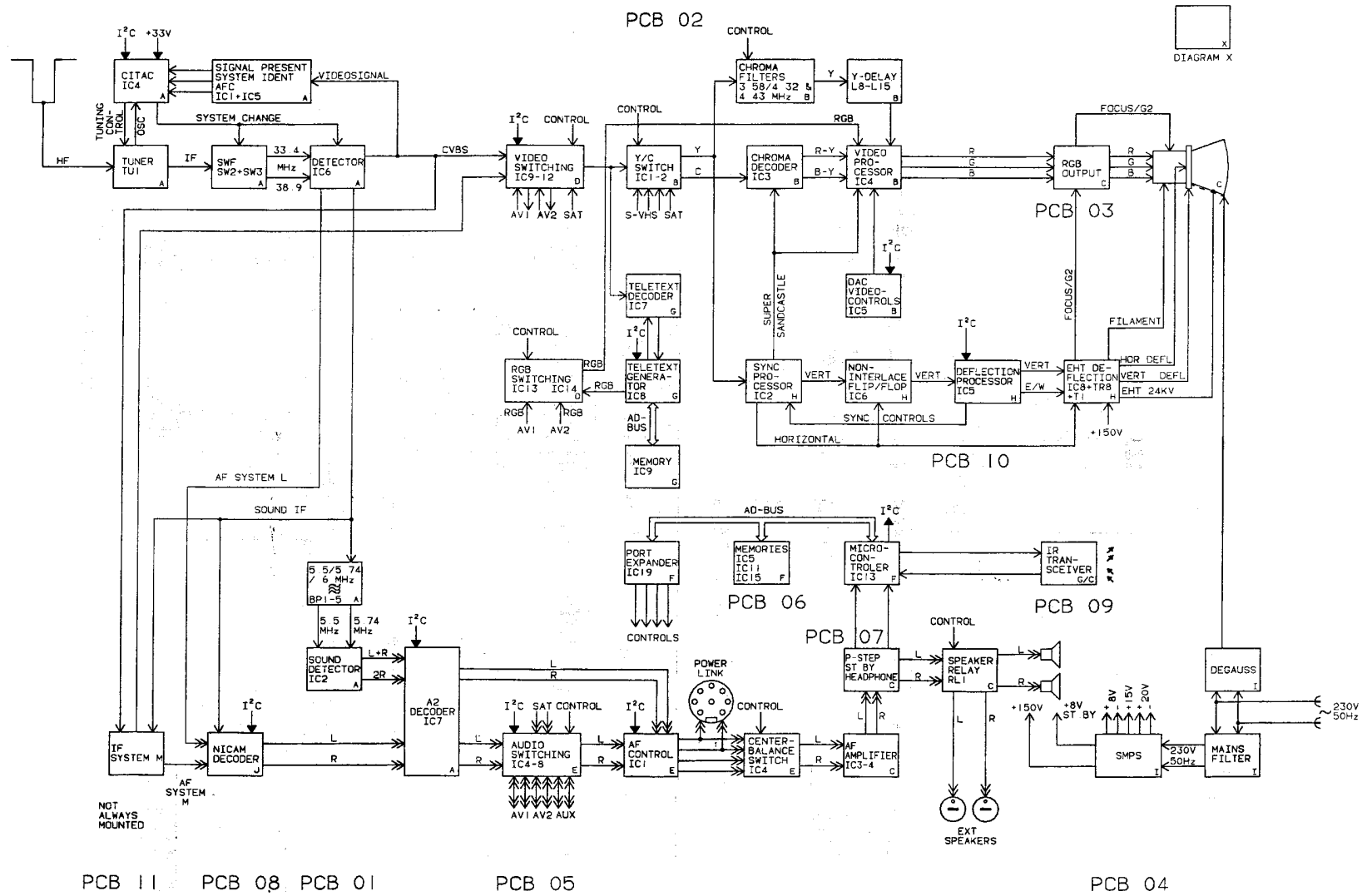
DIAGRAM J NICAM



BLOCKDIAGRAM

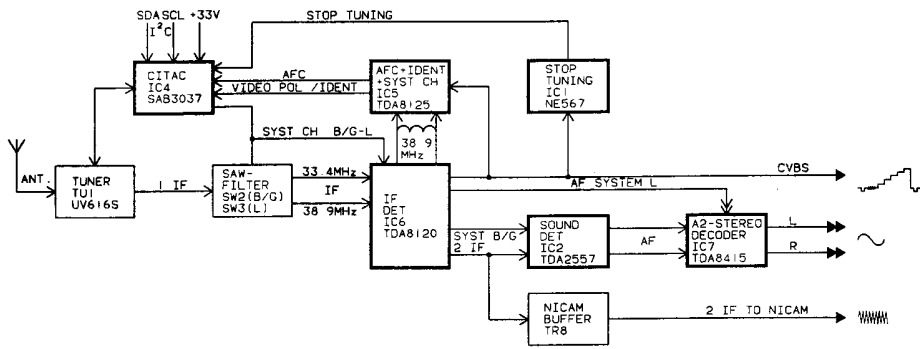
S

54

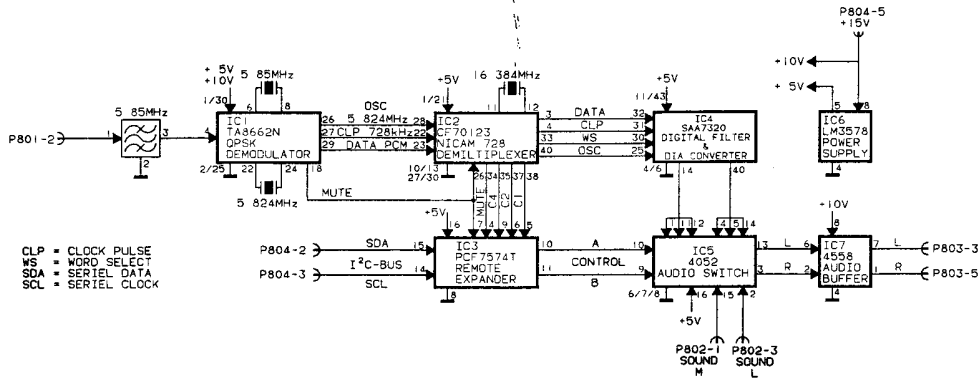


PCB 11 PCB 08 PCB 01 PCB 05 PCB 02 PCB 03 PCB 10 PCB 06 PCB 07 PCB 09 PCB 04

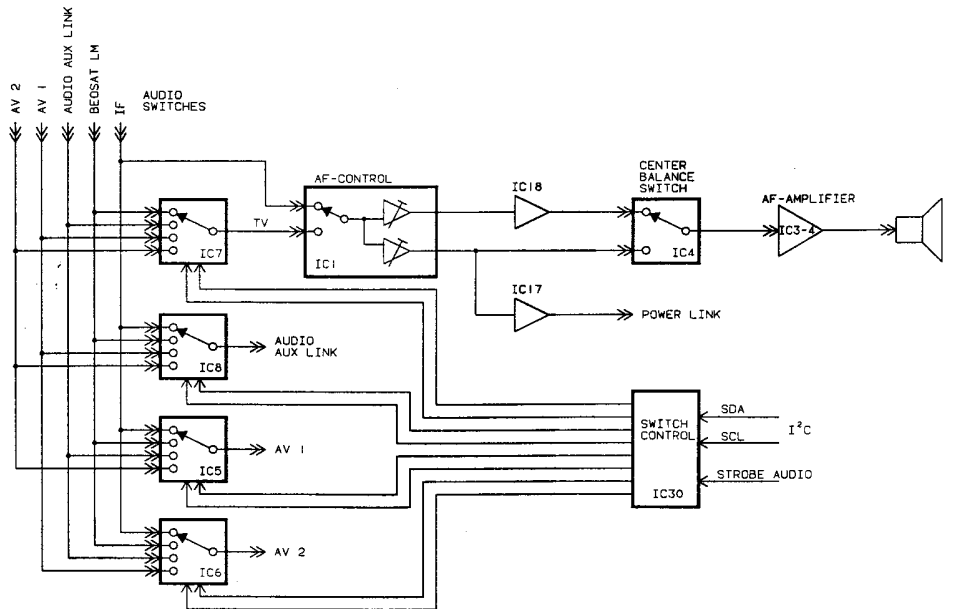
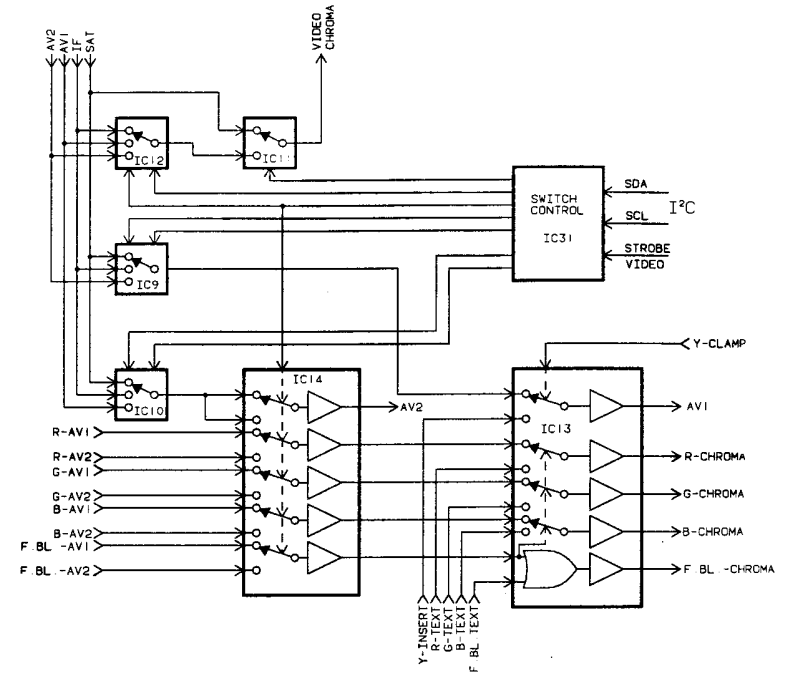
PCB1 TUNER AND IF



PCB8 NICAM

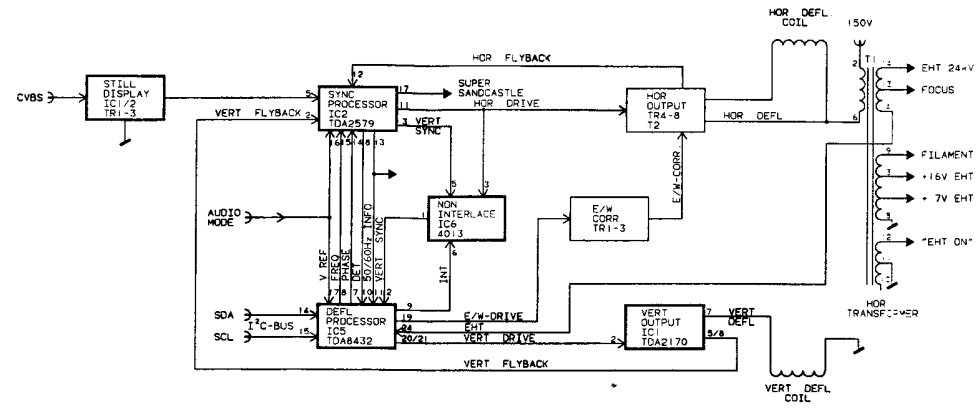


PCB5 VIDEO AND SOUND SWITCHING

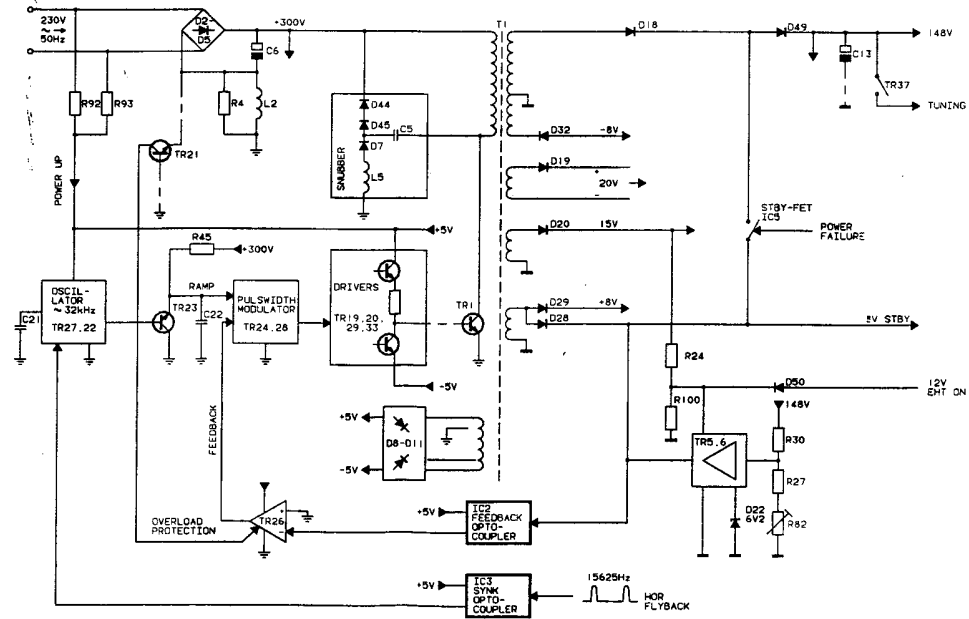


PCB10 DEFLECTION

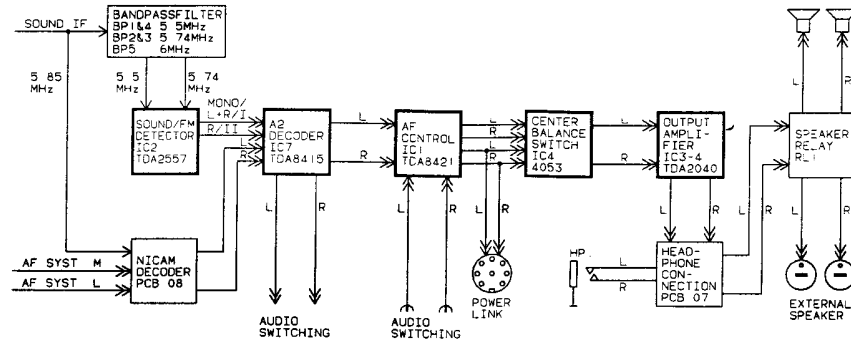
f
M
T₀



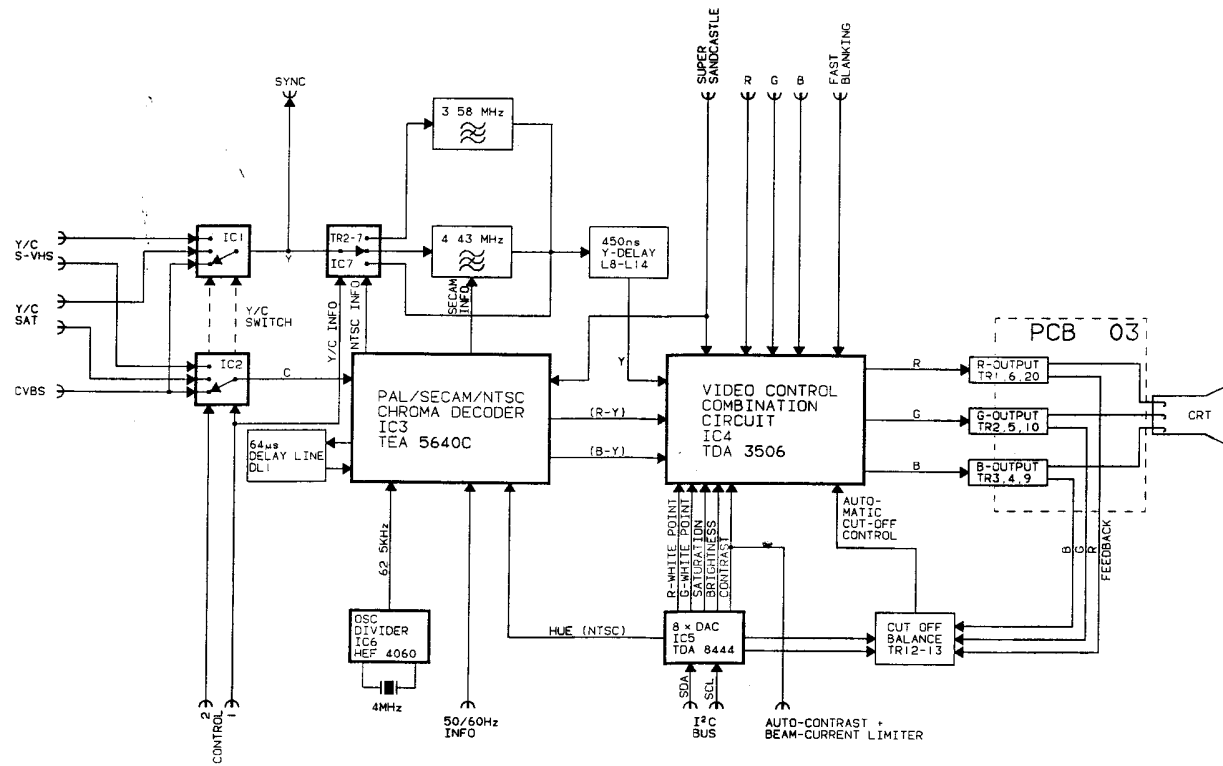
PCB4 SWITCH MODE POWER SUPPLY



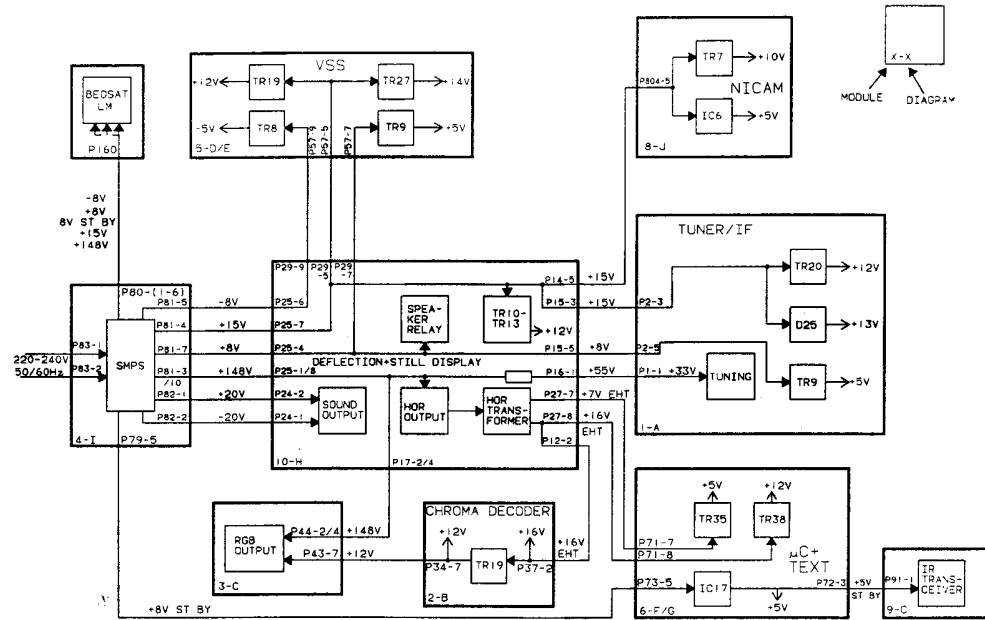
AUDIO SWITCHING



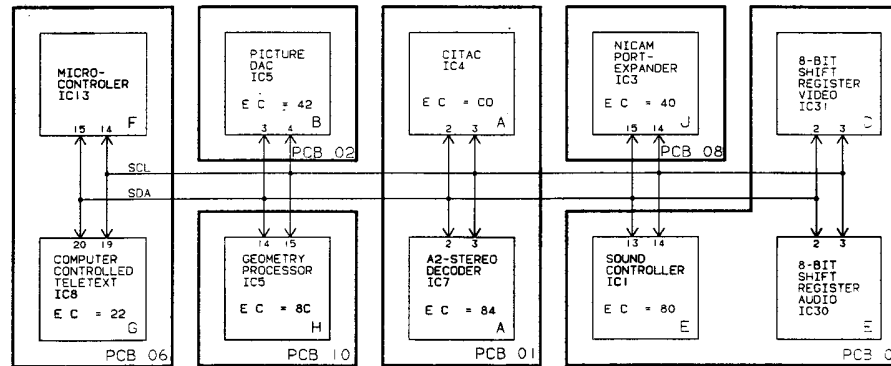
PCB2 PAL/SECAM/NTSC DECODER



SUPPLIES

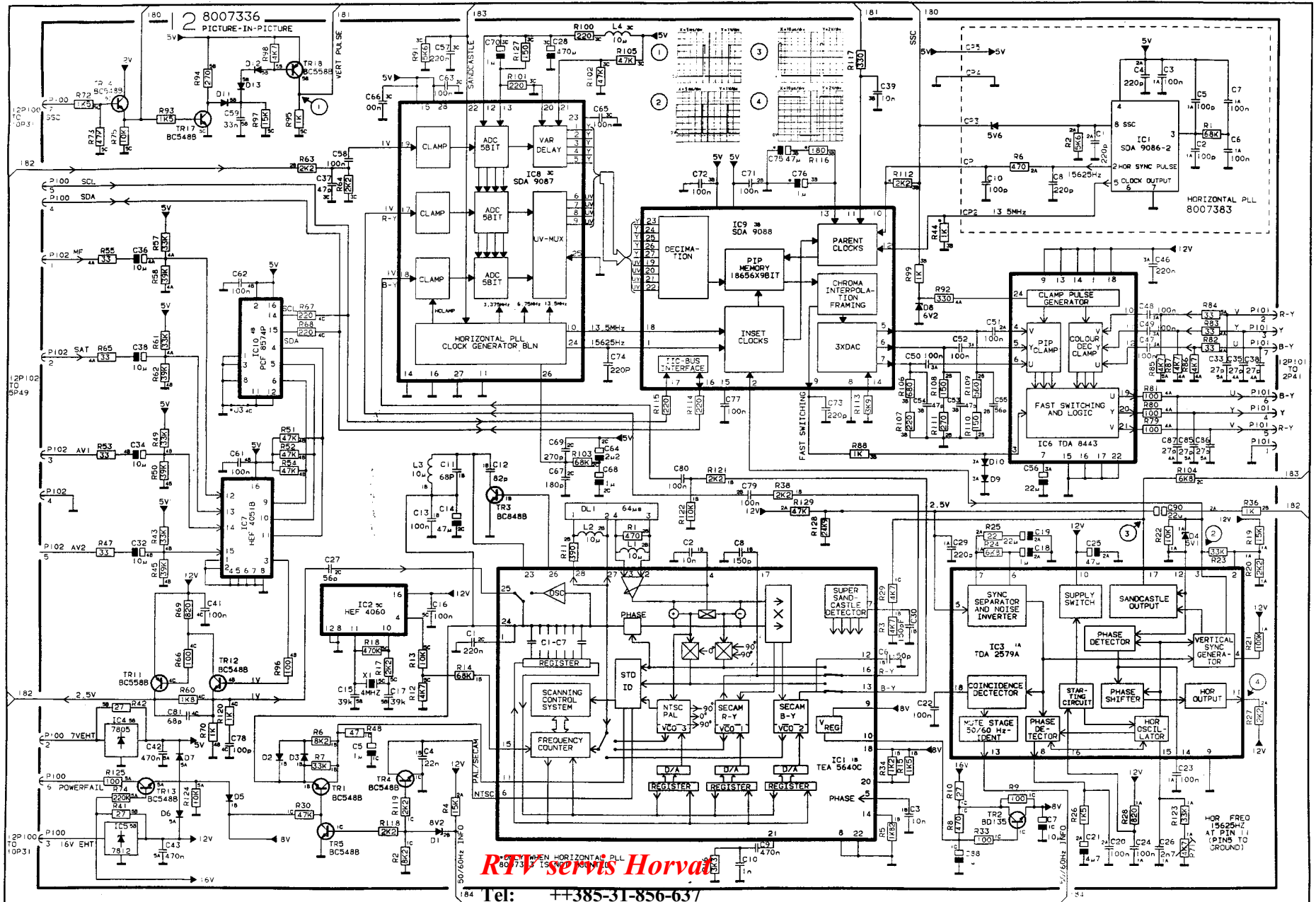


SYSTEM CONTROL



SDA = SYSTEM DATA
 SCL = SYSTEM CLOCK
 EC = ERROR CODE - IIC ADDRESS XX

DIAGRAM Picture-In-Picture



RTV servis Horvat

Tel: ++385-31-856-637

Tel/fax: ++385-31-856-139

Mob: 098-788-319

www.rtv-horvat-dj.hr