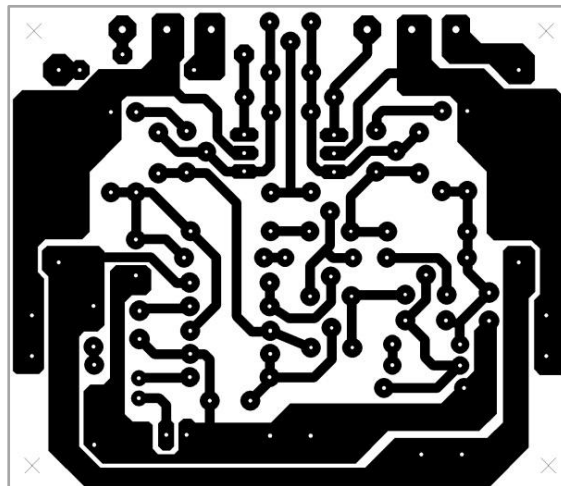
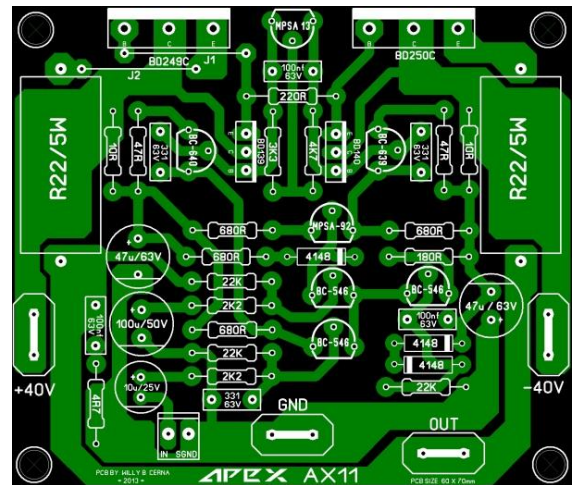
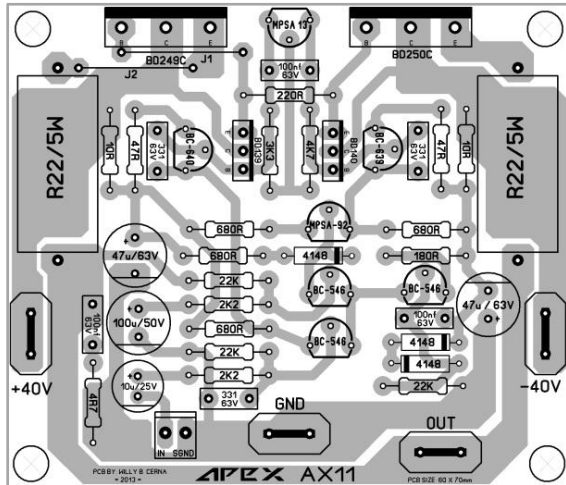


# APEX AX-11

PCB Size: 60 X 70mm



## PARTS LIST

### TRANSISTOR

1. BD249C – 1 pc.
2. BD250C – 1 pc.
3. BD139 – 1 pc.
4. BD140 – 1 pc.
5. BC640 – 1 pc.
6. BC639 – 1 pc.
7. MPSA13 – 1 pc.
8. MPSA92 – 1 pc.
9. BC546 – 3 pcs.

### RESISTOR

1. R22/5W – 2 pcs.
2. 220R – 1 pc.
3. 10R – 2 pcs.
4. 47R – 2 pcs.
5. 4K7 – 1 pc.
6. 3K3 – 1 pc.
7. 680R – 4 pcs.
8. 22K – 3 pcs.
9. 2K2 – 2 pcs.
10. 180R – 1 pc.
11. 4R7 – 1 pc.

### CAPACITOR

1. 47uf/63V – 2 pcs.
2. 100uf/50V – 1 pc.
3. 10uf/25V – 1 pc.
4. 330pf/63V – 3 pcs.
5. 100nf/36V – 3 pcs.

### DIODE

1. 1N4148 – 3 pcs.

### MISC.

1. PCB 60X70mm – 1 pc.
2. INPUT Terminal – 1 pc.
3. PCB Blades – 4 pcs.
4. Mica Insulator (SOT-93) – 2 pcs.